

uniview

uniview

Uniview IP CCTV Systems

Created from HUAWEI H3CTechnologies subsidiary engineers, Uniview has been since 2006, a pioneer in China in the field of IP video surveillance and has grown to become one of the TOP3 within the video surveillance industry in China

# uniview



# Uniview CCTV systems

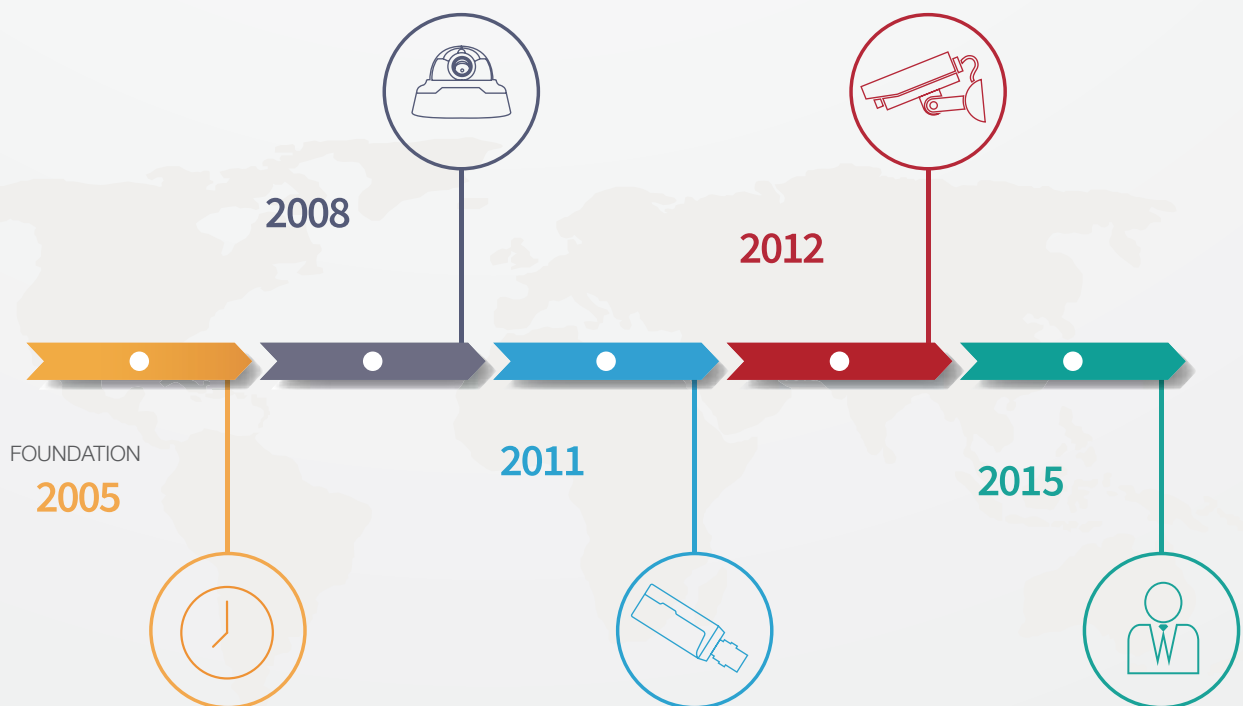
Created in December 2001, Uniview has been focused on developing, producing and selling video surveillance products.

Uniview invests more than 15% of its annual revenues in R & D, with development centers in Hangzhou and Shenzhen. 50% of all employees are engineers. At the close of 2014, Uniview has over 350 patents covering the entire range of IP electronic, providing a wide range of industrial solutions.

Uniview products have been installed in many projects for industry, including public safety and management, traffic control, subway, campuses, intelligent buildings, etc.

The Uniview philosophy is aimed at meeting consumer needs in a cooperative and innovative team with excellent support, expertise and best professional management. The vision of Uniview is to become “world leader in video surveillance” to advance its products and services under a full commitment to creating value for all customers.

Its projection to the European market has been entrusted to ByDemes Group of which we are proud and we want to develop it in the hands of our best customers.





<b>StarLight cameras</b> .....	<b>5</b>
<b>IP Cube cameras</b> .....	<b>8</b>
<b>IP Bullet camera</b> .....	<b>10</b>
<b>IP domes</b> .....	<b>20</b>
<b>IP motorized domes</b> .....	<b>31</b>
<b>IP NVR</b> .....	<b>38</b>
<b>Accesories</b> .....	<b>51</b>

# StarLight Cameras



uniview

**UV-1 / IPC542E-DU**

STARLIGHT camera box



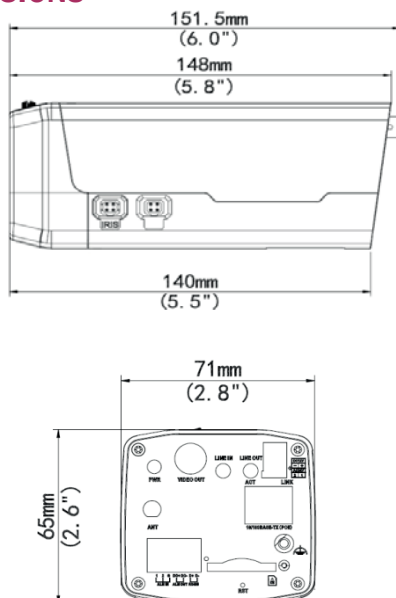
Tecnología  
**STARLIGHT®**  
NEXT GENERATION



**FEATURES**

- 1/2" CMOS low light "Lightfinder"
- 2 MP: 1920x1080 @25 fps (triple stream)
- Removable mechanical filter
- Starlight mode 0,002 lux color / 0,0002 lux B/N
- Mount C/CS (with manual backfocus)
- ROI, 9:16 corridor mode, 3D-DNR, WDR (120 dB)
- Defog mode
- Bidirectional audio, 2 alarm inputs / 1 alarm output
- 1 RS485 port
- PoE supported
- Lens is not included

**DIMENSIONS**



**CAMERA**

Image sensor	1/2" Progressive Scan CMOS, 2 MP
Mount	C/CS (with manual backfocus)
Shutter	Auto / Manual / 1/6~1/8000 s
Day/night	ICR automatic commutation
Minimum illumination	0,002 lux F1.2 color / 0,0002 lux F1.2 B/N
Signal to noise ratio	>52dB
WDR	120 dB
Video Output	1 BNC

**VIDEO**

Resolution	1920 x 1080
Video compression	H.264, MJPEG
Frames per second	25 fps (1080P, 720P, D1)
Noise reduction	3D
Corridor mode	9:16
ROI	Supported
Stream	Triple
OSD	Up to 8 languages
Privacy mask	4 areas

**AUDIO**

Audio	Bidirectional
Audio compression	G.711

**NETWORK**

Network port	Ethernet 10M/100M Base-TX
Network protocols	L2TP, IPv4, IGMP, ICMP, ARP, TCP, UDP, DHCP, PPPoE, RTP, RTSP, Qos, NTP, FTP, HTTP, SNMP, SIP
Integration	ONVIF, IMOS, API
Alarm	2 inputs / 1 output

**GENERAL**

Power supply	12V CC, PoE (IEEE802.3 af)
Consumption	4,8W (+2W ICR On)
Working temperature	-20°C ~ +60°C, HR <90% (without condensation)
Dimensions	151,5 x 71 x 65 mm
Weight	480 g

## UV-30 / IPC6242SR-X22U

### STARLIGHT motorized dome



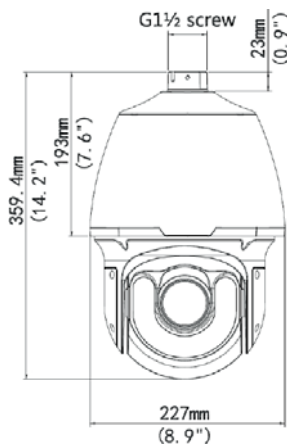
Tecnología  
**STARLIGHT®**  
NEXT GENERATION



#### FEATURES

- CMOS 1/2" Progressive Scan
- 6.5 ~ 143 mm varifocal lens (22X optical zoom)
- 2 MP: 1920x1080 @25 fps (triple stream)
- Starlight mode 0,002 lux color / 0,0002 lux B/N
- Removable mechanical filter
- Smart IR up to 150 meters
- Bidirectional audio
- D-WDR
- Defog mode
- Positioner: 360° continuous (H), -15°~+90° (V)
- Manual speed: 240°/s. (H) y 160°/s. (V)
- 255 presets, 16 rounds (32 presets per round)
- IP66

#### DIMENSIONS



#### ACCESORIES



**UV-19**  
Wall mount bracket



**UV-20**  
Mount bracket for vertical posts



**UV-21**  
Bracket for corners mounts



**UV-12**  
Ceiling mount bracket



**UV-14**  
Ceiling mount adapter



**UV-15**  
Mount bracket for ceilings

CAMERA	
Image sensor	1/2" Progressive Scan CMOS, 2 MP
Lens	6.5 ~ 143 mm (22X optical zoom), 70° ~ 3.76°
Shutter	Auto / Manual / 1/6~1/8000 s
Day/night	ICR automatic commutation
Minimum illumination	0,002 lux F1.6 color / 0,0002 lux F1.6 B/N
Smart IR	150 meters
WDR	Digital
Video Output	1 BNC
Signal to noise ratio	>52dB
VIDEO	
Resolution	1920 × 1080
Video compression	H.264, MJPEG
Frames per second	25 fps (1080P, 720P, D1)
Stream	Triple
OSD	Up to 8 languages
Privacy mask	8 areas
AUDIO	
Audio	Bidirectional
Audio compression	G.711
PTZ	
Positioner	360° horizontal / -15°~+90° vertical (autoflip)
Manual speed	240°/s horizontal / 160°/s vertical
Preset speed	300°/s horizontal / 240°/s vertical
Presets	255 presets
Rounds	16 rounds up to 32 presets per round
Patterns	16 pattern (up to 15 min per pattern)
NETWORK	
Ports	1 RJ45 10M/100M Base-TX Ethernet / 1 RS485
Network protocols	L2TP, IPv4, IGMP, ICMP, ARP, TCP, UDP, DHCP, PPPoE, RTP, RTSP, Qos, NTP, FTP, HTTP, SNMP, SIP
Integration	ONVIF, IMOS, API
Alarm	2 inputs / 1 output
GENERAL	
Storage	Micro SD up to 64GB (not included)
Power supply	24V CA
Consumption	12W ~ 46W (IR: 27W; heater: 12W max.)
Working temperature	-40°C ~ +70°C, HR <90% (without condensation)
Protection	IP66
Dimensions	Ø227 x 359,4 mm
Weight	5,50 kg

# IP cube cameras



uniview



**UV-51 / U1-RF36W**

Cube camera with IR illumination, 1.3 MP

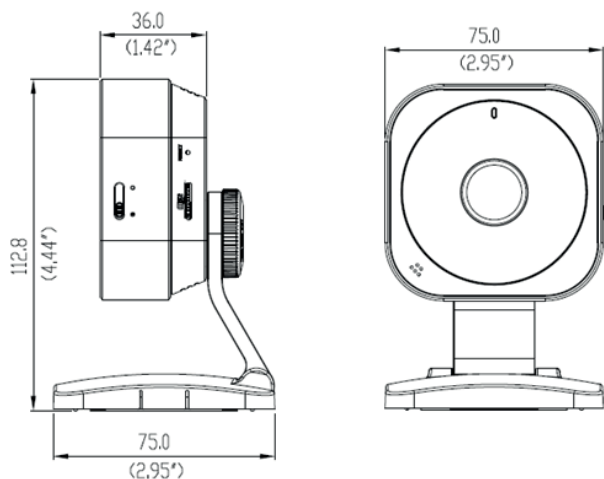


**FEATURES**

- 1/3" Progressive scan CMOS
- 1,3 MP: 1280 x 720
- Smart IR
- Digital WDR, 3D-DNR
- Privacy mask (4 zones)
- Micro SD up to 32 GB (not included)

CAMERA	
Image sensor	1/3" Progressive scan CMOS, 1.3 MP
Shutter	Auto / Manual / 1/6~1/8000 s
Day/night	ICR automatic commutation
Minimum illumination	0,06 lux F1.4 0 lux IR on
Signal to noise ratio	>52dB
WDR	Digital
VIDEO	
Resolution	1280 x 720
Video compression	H.264, MJPEG
Frames per second	25 fps (720P, D1)
Stream	Triple
OSD	Up to 8 languages
Videosensor	2 areas
Privacy mask	4 areas
NETWORK	
Network protocols	IPv4,IGMP,ICMP,ARP,TCP,UDP,DHCP,RTP,RTSP,DNS,DDNS,NTP,FTP,UPnP,HTTP
Integration	ONVIF
AUXILIARY INTERFACE	
Wi-Fi	802.11b/g/n
Audio	Integrated microphone and speaker
Storage	Micro SD up to 32 GB
Interface de Power supply	Micro USB
GENERAL	
Power supply	12V DC
Consumption	6.8 W (max. 8.6W IR on)
Dimensions	75x75x36mm

**DIMENSIONS**



# IP Bullet Cameras



uniview

## UV-34 / IPC2121SR3-PF36

Bullet camera with IR illumination up to 30 m, 1.3 MP

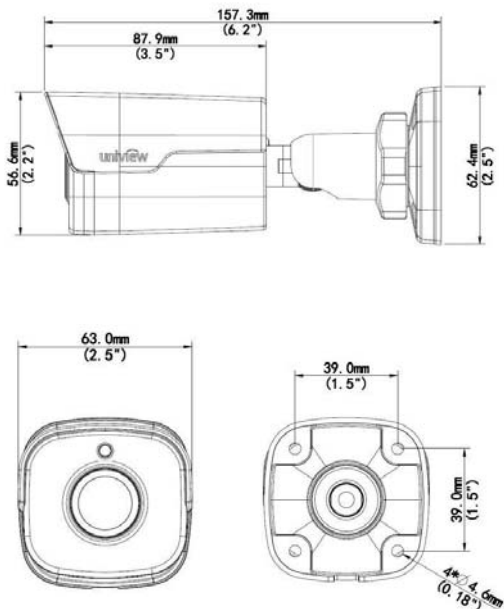


### FEATURES

- 1/3" Progressive scan CMOS
- 1,3 MP: 1280x960 @25 fps (triple stream)
- Removable mechanical filter
- Smart IR up to 30 meters
- D-WDR, ROI, 9:16 corridor mode, 3D/2D- NR
- Defog mode
- Privacy mask (4 zones)
- Motion detection (2 zones)
- IP66

CAMERA	
Image sensor	1/3" Progressive scan CMOS, 1.3 MP
Lens	3.6mm@F1.8
Shutter	Auto / Manual / 1/6-1/8000 s
Day/night	ICR automatic commutation
Minimum illumination	Color: 0.06 Lux (F1.4, 50IRE) / 0 Lux (IR On)
Smart IR	30 meters
WDR	Digital
Signal to noise ratio	>50dB
VIDEO	
Resolution	1280x960
Video compression	H.264, MJPEG
Frames per second	25 fps (960P, 720P, D1)
Corridor mode	9:16
ROI	Supported
Stream	Triple
OSD	Up to 8 languages
Privacy mask	4 areas
Videosensor	2 zonas
NETWORK	
Network port	1 RJ45 10M/100M Base-TX Ethernet
Network protocols	IPv4,IGMP,ICMP,ARP,TCP,UDP,DHCP,RTP,RTSP, DNS,DDNS,NTP,FTP,UPnP,HTTP
Integration	ONVIF
GENERAL	
Power supply	12 V DC, o PoE (IEEE802.3 af)
Consumption	2.0 W (6.4 W IR On)
Working temperature	-35°C ~ +60°C, HR <90% (without condensation)
Protection	IP66
Dimensions	157.3 × 56.6 × 63 mm
Weight	450 g

### DIMENSIONS



**UV-35 / IPC2122SR3-PF36**

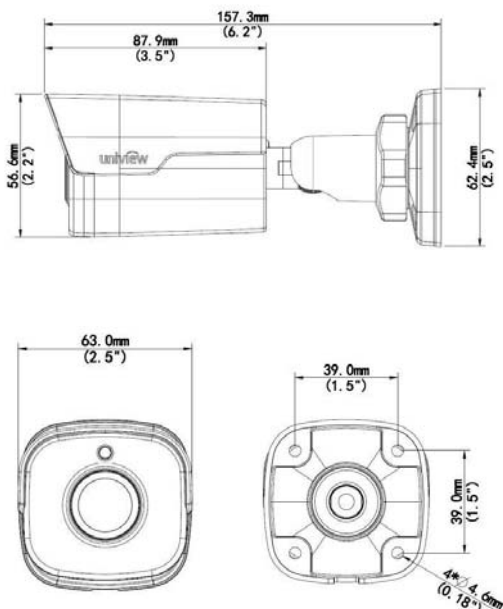
Bullet camera IR illumination up to 30m de 2 MP



**FEATURES**

- 1/3" Progressive scan CMOS
- 2 MP: 1920x1080 @25 fps (triple stream)
- Removable mechanical filter
- Smart IR up to 30 meters
- D-WDR, ROI, 9:16 corridor mode, 3D/2D- NR
- Defog mode
- Privacy mask (4 zones)
- Motion detection (2 zones)
- IP66

**DIMENSIONS**



**CAMERA**

Image sensor	1/3" Progressive Scan CMOS, 2 MP
Lens	3.6mm@F1.8
Shutter	Auto / Manual / 1/6-1/8000 s
Day/night	ICR automatic commutation
Minimum illumination	Color: 0.06 Lux (F1.4, 50IRE) / 0 Lux (IR On)
Smart IR	30 meters
WDR	Digital
Signal to noise ratio	>52dB

**VIDEO**

Resolution	1920x1080
Video compression	H.264, MJPEG
Frames per second	25 fps (1080P, 720P, D1)
Corridor mode	9:16
ROI	Supported
Stream	Triple
OSD	Up to 8 languages
Privacy mask	4 areas
Videosensor	2 zonas

**NETWORK**

Network port	1 RJ45 10M/100M Base-TX Ethernet
Network protocols	IPv4,IGMP,ICMP,ARP,TCP,UDP,DHCP,RTP,RTSP,DNS,DDNS,NTP,FTP,UPnP,HTTP
Integration	ONVIF

**GENERAL**

Power supply	12 V DC, o PoE (IEEE802.3 af)
Consumption	2.0 W (6.4 W IR On)
Working temperature	-35°C ~ +60°C, HR <90% (without condensation)
Protection	IP66
Dimensions	157,3 × 56,6 × 63 mm
Weight	450 g

## UV-7 / IPC222ER-F36

Bullet camera IR illumination up to 30m de 2 MP



### FEATURES

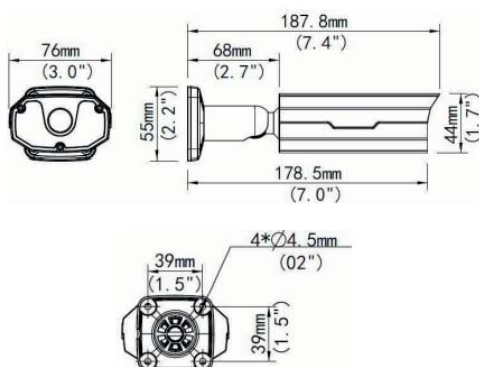
- CMOS 1/3" low light
- 2 MP: 1920x1080 @25 fps (triple stream)
- Removable mechanical filter
- Smart IR up to 30 meters
- 3,6 mm varifocal lens
- D-WDR, ROI, 9:16 corridor mode, 3D-NR
- Defog mode
- Privacy mask (4 zones)
- IP66
- PoE supported

### ACCESORIES



**UV-13**  
Support for pole mounting

### DIMENSIONS



CAMERA	
Image sensor	1/3" Progressive Scan CMOS, 2 MP
Lens	3.6mm@F1.8
Shutter	Auto / Manual / 1/6~1/8000 s
Day/night	ICR automatic commutation
Minimum illumination	0,06 lux F1.8 color / 0,03 lux F1.8 B/N
Smart IR	30 meters
WDR	Digital
Signal to noise ratio	>52dB
Image rotation	Supported
VIDEO	
Resolution	1920 x 1080
Video compression	H.264, MJPEG
Frames per second	25 fps (1080P, 720P, D1)
Corridor mode	9:16
ROI	Supported
Stream	Triple
OSD	Up to 8 languages
Privacy mask	4 areas
AUDIO	
Audio	Bidirectional
Audio compression	G.711
NETWORK	
Network port	10M/100M Base-TX Ethernet
Network protocols	L2TP, IPv4, IGMP, ICMP, ARP, TCP, UDP, DHCP, PPPoE, RTP, RTSP, Qos, NTP, FTP, HTTP, SNMP, SIP
Integration	ONVIF, IMOS, API
Alarm	1 input / 1 output
GENERAL	
Power supply	12 V DC o PoE (IEEE802.3 af)
Consumption	3.5 W (7.5W IR On)
Working temperature	-35°C ~ +60°C, HR <90% (without condensation)
Protection	IP66
Dimensions	187.8 × 76 × 44 mm
Weight	580 g

**UV-49 / IPC2124SR3-DPF36**

Bullet camera with IR illumination up to 30 m, 4 MP



**FEATURES**

- 1/3" Progressive scan CMOS
- 4 MP: 2688x1520 @25 fps (triple stream)
- Removable mechanical filter
- Smart IR up to 30 meters
- D-WDR, ROI, 9:16 corridor mode, 3D/2D- NR
- Defog mode
- Privacy mask (4 zones)
- Motion detection (2 zones)
- IP66

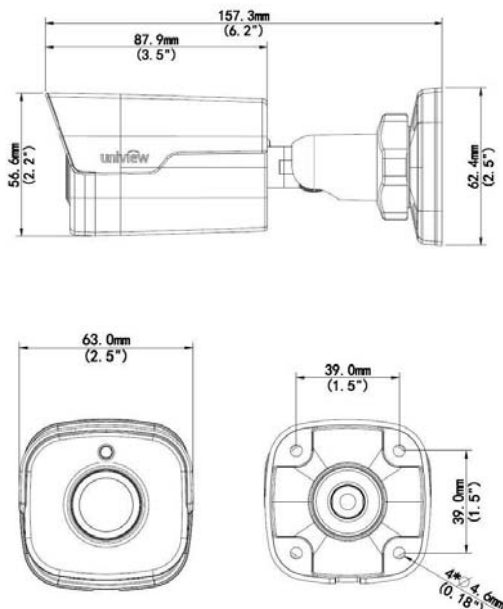
CAMERA	
Image sensor	1/3" Progressive scan CMOS, 4 MP
Lens	3.6mm@F1.8
Shutter	Auto / Manual / 1/6~1/8000 s
Day/night	ICR automatic commutation
Minimum illumination	Color: 0.06 Lux (F1.4, 50IRE) / 0 Lux (IR On)
Smart IR	30 meters
WDR	120 dB
Signal to noise ratio	>52dB

VIDEO	
Resolution	2688x1520
Video compression	H.264, MJPEG
Frames per second	25 fps (4MP, 1080P, 720P, D1)
Corridor mode	9:16
ROI	Supported
Stream	Triple
OSD	Up to 8 languages
Privacy mask	4 areas
Videosensor	2 zonas

NETWORK	
Network port	1 RJ45 10M/100M Base-TX Ethernet
Network protocols	IPv4,IGMP,ICMP,ARP,TCP,UDP,DHCP,RTP,RTSP,DNS,DDNS,NTP,FTP,UPnP,HTTP
Integration	ONVIF

GENERAL	
Power supply	12 V DC, o PoE (IEEE802.3 af)
Consumption	2.0 W (6.4 W IR On)
Working temperature	-35°C ~ +60°C, HR <90% (without condensation)
Protection	IP66
Dimensions	157.3 × 62.4 × 63 mm
Weight	450 g

**DIMENSIONS**



# CRIMINAL OR BOYFRIEND?



Small detail makes big difference. You need help to capture all details in darkness. With high sensitive sensor and advanced image processing technology, Uniview starlight camera can produce high definition, color and fluent image in extreme low light condition. **(0.002lux)**

**UV-28 / IPC241ER5-DL**

Bullet camera with IR illumination up to 50 m, 1.3 MP

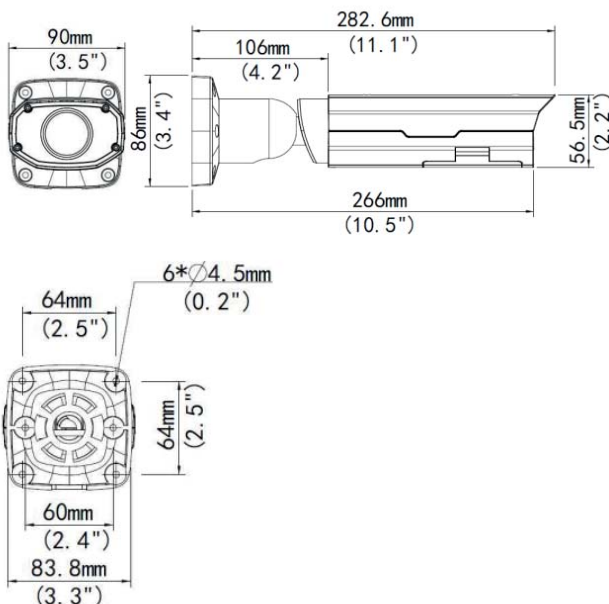


**FEATURES**

- CMOS 1/3" low light
- 1,3 MP: 1280x960 @25 fps (triple stream)
- Removable mechanical filter
- Smart IR up to 50 meters
- WDR real, ROI, 9:16 corridor mode, WDR (120 dB)
- Defog mode
- Privacy mask (4 zones)
- Bidirectional audio
- 2 alarm inputs / 1 alarm output
- IP66

CAMERA	
Image sensor	1/3" Progressive scan CMOS, 1.3 MP
Lens	7 ~ 22 mm, F1.4, 38° ~ 12°
Shutter	Auto / Manual / 1/6~1/8000 s
Day/night	ICR automatic commutation
Minimum illumination	0,02 lux F1.4 color / 0,008 lux F1.4 B/N
Smart IR	50 meters
WDR	120 dB
Signal to noise ratio	>50dB
VIDEO	
Resolution	1280x960
Video compression	H.264, MJPEG
Frames per second	25 fps (720P, D1)
Corridor mode	9:16
ROI	Supported
Stream	Triple
OSD	Up to 8 languages
Privacy mask	4 areas
AUDIO	
Canales de audio	1 input / 1 output
NETWORK	
Network port	Ethernet 10M/100M Base-TX
Network protocols	L2TP, IPv4, IGMP, ICMP, ARP, TCP, UDP, DHCP, PPPoE, RTP, RTSP, Qos, NTP, FTP, HTTP, SNMP, SIP
Integration	ONVIF, IMOS, API
Alarm	2 inputs / 1 output
GENERAL	
Ranura SD	MicroSD up to 64GB (not included)
Power supply	12V CC, PoE (IEEE802.3 af)
Consumption	4,5W (+6,5W IR On)
Working temperature	-40°C ~ +60°C, HR <90% (without condensation)
Protection	IP66
Dimensions	282,6 x 90 x 56,5 mm
Weight	1,2 kg

**DIMENSIONS**





## UV-6 / IPC242L-IR-IN

Bullet camera with IR illumination up to 30 m, 2 MP



### FEATURES

- CMOS 1/3" low light
- 2 MP: 1920x1080 @25 fps (triple stream)
- Removable mechanical filter
- Smart IR up to 30 meters
- 3 ~ 10,5 mm varifocal lens
- D-WDR, ROI, 9:16 corridor mode, Defog mode
- Privacy mask (8 zones)
- IP66
- PoE supported

CAMERA	
Image sensor	1/3" Progressive scan CMOS, 2 MP
Lens	3 ~ 10,5 mm, F1.4, 102,4° ~ 27,4°
Shutter	Auto / Manual / 1/6~1/8000 s
Day/night	ICR automatic commutation
Minimum illumination	0,03 lux F1.4 color / 0,01 lux F1.4 B/N
Smart IR	30 meters
WDR	Digital
Signal to noise ratio	>52dB
VIDEO	
Resolution	1920 x 1080
Video compression	H.264, MJPEG
Frames per second	25 fps (1080P, 720P, D1)
ROI	Supported
Stream	Triple
OSD	Up to 8 languages
Privacy mask	8 areas
NETWORK	
Network port	Ethernet 10M/100M Base-TX
Network protocols	L2TP, IPv4, IGMP, ICMP, ARP, TCP, UDP, DHCP, PPPoE, RTP, RTSP, Qos, NTP, FTP, HTTP, SNMP, SIP
Integration	ONVIF, IMOS, API
GENERAL	
Ranura SD	MicroSD up to 64GB (not included)
Power supply	12V CC, PoE (IEEE802.3 af)
Consumption	4,5W (+6,5W IR On)
Working temperature	-40°C ~ +60°C, HR <90% (without condensation)
Protection	IP66
Dimensions	282,6 x 90 x 56.5 mm
Weight	1,2 kg

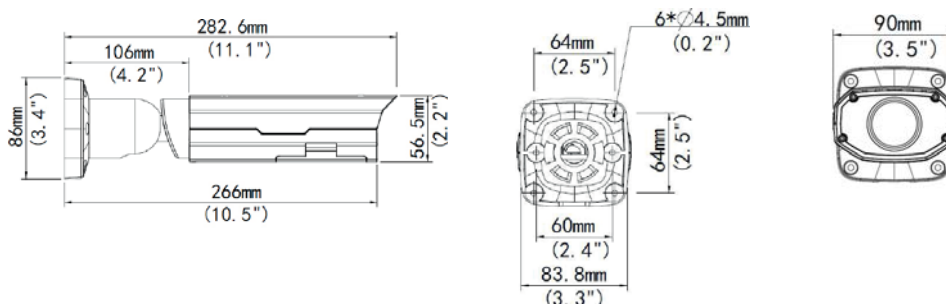
### ACCESSORIES



#### UV-13

Support for pole mounting

### DIMENSIONS



**UV-46 / IPC2322ER-BP**

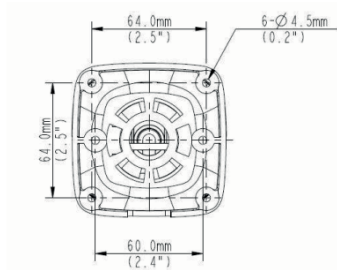
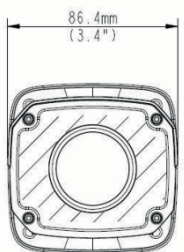
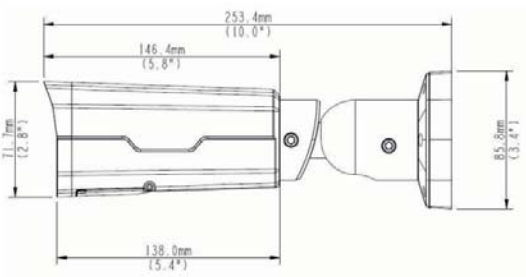
Bullet camera with IR illumination up to 40, 2 MP



**FEATURES**

- 1/3" Progressive Scan CMOS
- 2 MP: 1920x1080 @25 fps (triple stream)
- Removable mechanical filter
- Smart IR up to 40 m
- 2.8 ~ 10 mm varifocal lens
- D-WDR, ROI, 9:16 corridor mode,
- Defog mode
- Privacy mask (4 zones)
- IP66
- PoE supported

**DIMENSIONS**



CAMERA	
Image sensor	1/3" Progressive scan CMOS, 2 MP
Lens	2.8 ~ 10 mm, F1.6, 90° ~ 28°
Shutter	Auto / Manual / 1/6~1/8000 s
Day/night	ICR automatic commutation
Minimum illumination	0,06 lux F1.4 color / 0,03 lux F1.4 B/N
Smart IR	40 meters
WDR	Digital
Signal to noise ratio	>52dB
VIDEO	
Resolution	1920 x 1080
Video compression	H.264, MJPEG
Frames per second	25 fps (1080P, 720P, D1)
ROI	Supported
Corridor mode	9:16
Stream	Triple
OSD	Up to 8 languages
Privacy mask	4 areas
AUDIO	
Audio	Bidirectional
Audio compression	G.711
NETWORK	
Network port	Ethernet 10M/100M Base-TX
Network protocols	L2TP, IPv4, IGMP, ICMP, ARP, TCP, UDP, DHCP, PPPoE, RTP, RTSP, Qos, NTP, FTP, HTTP, SNMP, SIP
Integration	ONVIF, IMOS, API
Alarm	1 input / 1 output
GENERAL	
Ranura SD	MicroSD up to 64GB (not included)
Power supply	12V DC, PoE (IEEE802.3 af)
Consumption	3,5W (5,5W IR On)
Working temperature	-35°C ~ +60°C, HR <90% (without condensation)
Protection	IP66
Dimensions	253.4 x 86 x 71.7 mm
Weight	930 g

## UV-52 / IPC2324EBR-DPZ28

Bullet camera with IR illumination up to 40 m, 4 MP

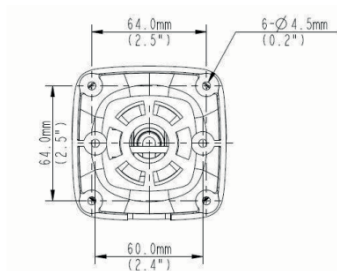
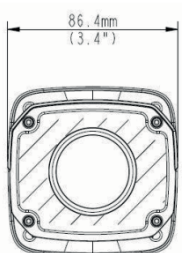
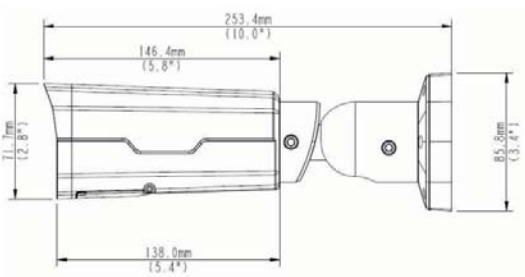


### FEATURES

- 1/3" Progressive Scan CMOS
- 4 MP: 2688x1520 @25 fps (triple stream)
- Removable mechanical filter
- Smart IR up to 40 m
- 2.8 ~ 10 mm varifocal lens
- D-WDR, ROI, 9:16 corridor mode,
- Defog mode
- Privacy mask (4 zones)
- IP66
- PoE supported

CAMERA	
Image sensor	1/3" Progressive scan CMOS, 4 MP
Lens	2.8 ~ 10 mm, F1.6, 90° ~ 28°
Shutter	Auto / Manual / 1/6~1/8000 s
Day/night	ICR automatic commutation
Minimum illumination	0,06 lux F1.4 color / 0,03 lux F1.4 B/N
Smart IR	40 meters
WDR	Digital
Signal to noise ratio	>52dB
VIDEO	
Resolution	2688 x 1520
Video compression	H.264, MJPEG
Frames per second	25 fps (4M, 1080P, 720P, D1)
ROI	Supported
Corridor mode	9:16
Stream	Triple
OSD	Up to 8 languages
Privacy mask	4 areas
AUDIO	
Audio	Bidirectional
Audio compression	G.711
NETWORK	
Network port	Ethernet 10M/100M Base-TX
Network protocols	L2TP, IPv4, IGMP, ICMP, ARP, TCP, UDP, DHCP, PPPoE, RTP, RTSP, Qos, NTP, FTP, HTTP, SNMP, SIP
Integration	ONVIF, IMOS, API
Alarm	1 input / 1 output
GENERAL	
Ranura SD	MicroSD up to 64GB (not included)
Power supply	12V DC, PoE (IEEE802.3 af)
Consumption	3,5W (5,5W IR On)
Working temperature	-35°C ~ +60°C, HR <90% (without condensation)
Protection	IP66
Dimensions	253.4 x 86 x 71.7 mm
Weight	930 g

### DIMENSIONS



# IP Domes



**UV-4 / IPC3611SR3-PF28**

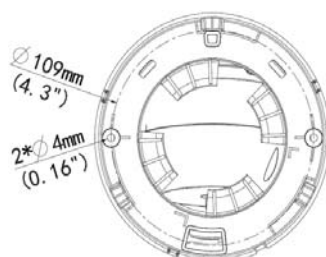
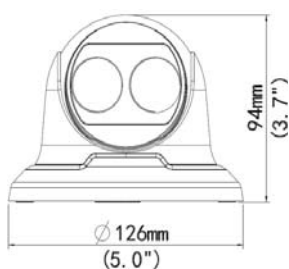
Outdoor dome with IR illumination up to 30m, 1.3 MP

**FEATURES**

- 1/3" Progressive Scan CMOS
- 1,3 MP: 1280 x 960 @25 fps (triple stream)
- Removable mechanical filter
- Smart IR up to 30 meters
- 2,8 mm fixed lens
- D-WDR, gain control, white balance
- 3D/2D-DNR, Privacy mask (4 zones)
- IP66
- 3AXIS
- PoE supported

**ACCESSORIES**

**UV-47**  
Wall mount

**DIMENSIONS**

CAMERA	
Image sensor	1/3" Progressive scan CMOS, 1.3 MP
Lens	2,8 mm, F1.8, 99.1°
Shutter	Auto / Manual / 1/6~1/8000 s
Day/night	ICR automatic commutation
IR illumination	30 meters
WDR	Digital
Gain control	Auto / manual
White balance	Auto / manual
Noise reduction	2D / 3D-NR
VIDEO	
Resolution	1280 x 960
Video compression	H.264, MJPEG
Frames per second	25 fps (960P, 720P, D1)
Stream	Triple
OSD	Up to 8 languages
Privacy mask	4 areas
Videosensor	2 areas
NETWORK	
Network port	10M/100M Base-TX
Network protocols	IPv4,IGMP,ICMP,ARP,TCP,UDP,DHCP,RTP,RTSP,Qos,DNS,DDNS,NTP,FTP,UPnP,HTTP
Integration	ONVIF
GENERAL	
Power supply	12V DC, PoE (IEEE802.3 af)
Consumption	3.5 W (5.5W IR On)
Working temperature	-35°C ~ +60°C, HR <90% (without condensation)
Protection	IP66
Dimensions	Ø126 x 94 mm
Weight	330 g



**UV-5 / IPC3612SR3-PF28**

Outdoor dome with IR illumination up to 30m, 2 MP



**FEATURES**

- 1/3" Progressive Scan CMOS
- 2 MP: 1920x1080 @25 fps (triple stream)
- Removable mechanical filter
- Smart IR up to 30 meters
- 2,8 mm fixed lens
- D-WDR, gain control, white balance
- 3D/2D-DNR, Privacy mask (4 zones)
- IP66
- 3AXIS
- PoE supported

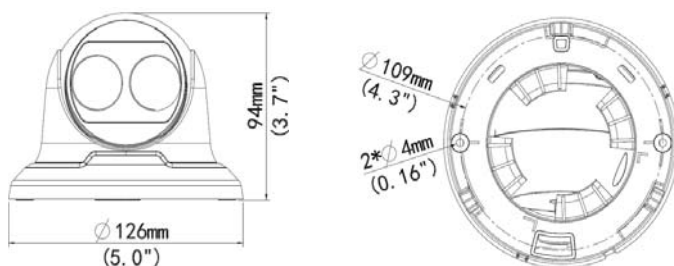
CAMERA	
Image sensor	1/3" Progressive scan CMOS, 2 MP
Lens	2,8 mm, F1.8, 99.1°
Shutter	Auto / Manual / 1/6~1/8000 s
Day/night	ICR automatic commutation
IR illumination	30 meters
WDR	Digital
Gain control	Auto / manual
White balance	Auto / manual
Noise reduction	2D / 3D-NR
VIDEO	
Resolution	1920 x 1080
Video compression	H.264, MJPEG
Frames per second	25 fps (1080P, 720P, D1)
Stream	Triple
OSD	Up to 8 languages
Privacy mask	4 areas
Videosensor	2 areas
NETWORK	
Network port	10M/100M Base-TX Ethernet
Network protocols	IPv4,IGMP,ICMP,ARP,TCP,UDP,DHCP,RTP,RTSP,Qos,DNS,DDNS,NTP,FTP,UPnP,HTTP
Integration	ONVIF
GENERAL	
Power supply	12V DC, PoE (IEEE802.3 af)
Consumption	3.5 W (5.5W IR On)
Working temperature	-35°C ~ +60°C, HR <90% (without condensation)
Protection	IP66
Dimensions	Ø126 x 94 mm
Weight	330 g

**ACCESSORIES**



**UV-47**  
Wall mount

**DIMENSIONS**



**UV-3 / IPC322ER-F28**

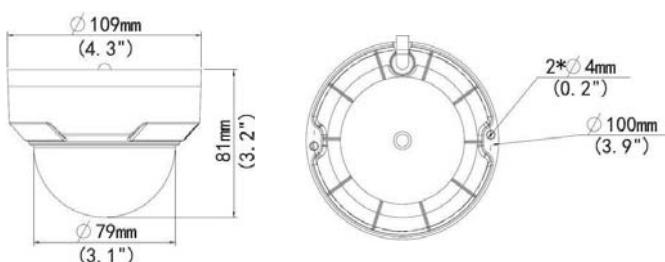
Outdoor vandal dome with IR illumination up to 30 m, 2 MP

**FEATURES**

- CMOS 1/3" low light
- 2 MP: 1920x1080 @25 fps (triple stream)
- Removable mechanical filter
- Smart IR up to 30 meters
- 2,8 mm fixed lens
- D-WDR, 3D-DNR, ROI
- Privacy mask (4 zones)
- Bidirectional audio, 1alarm input / 1 alarm output
- IP66, IK10
- 2AXIS
- PoE supported

**ACCESORIES**

**UV-45**  
Thread bracket

**DIMENSIONS**

CAMERA	
Image sensor	1/3" Progressive scan CMOS, 2 MP
Lens	2,8 mm, F1.8, 108°
Shutter	Auto / Manual / 1/6~1/8000 s
Day/night	ICR automatic commutation
Minimum illumination	0,06 lux F1.8 color / 0,03 lux F1.8 B/N
Smart IR	30 meters
WDR	Digital
Image rotation	Supported
Signal to noise ratio	>52dB
VIDEO	
Resolution	1920 x 1080
Video compression	H.264, MJPEG
Frames per second	25 fps (1080P, 720P, D1)
ROI	Supported
Stream	Triple
OSD	Up to 8 languages
Privacy mask	4 areas
AUDIO	
Audio	Bidirectional
Audio compression	G.711
NETWORK	
Network port	Ethernet 10M/100M Base-TX
Network protocols	L2TP, IPv4, IGMP, ICMP, ARP, TCP, UDP, DHCP, PPPoE, RTP, RTSP, Qos, NTP, FTP, HTTP, SNMP, SIP
Integration	ONVIF, IMOS, API
Alarm	1 input / 1 output
GENERAL	
Power supply	12V CC, PoE (IEEE802.3 af)
Consumption	3,5W (5.5W IR On)
Working temperature	-35°C ~ +60°C, HR <90% (without condensation)
Protection	IP66, IK10
Dimensions	Ø109 x 81 mm
Weight	450 g

**UV-38 / IPC3231ER-VS**

Vandal dome with IR illumination up to 30 m, 1.3 MP



**FEATURES**

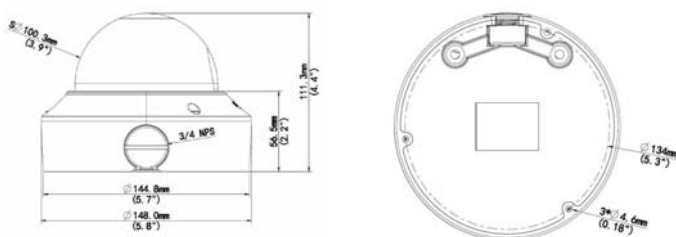
- CMOS 1/3" low light
- 1,3 MP: 1280 x 960 @25 fps (triple stream)
- Removable mechanical filter
- Smart IR up to 30 meters
- 2.8~12 mm varifocal lens
- D-WDR, ROI, corridor mode,
- Privacy mask (4 zones)
- Micro SD up to 128 GB (not included)
- IP66, IK10
- 2AXIS
- PoE supported

**ACCESSORIES**



**UV-48**  
Wall mount

**DIMENSIONS**



CAMERA	
Image sensor	1/3" Progressive scan CMOS, 1.3 MP
Lens	2.8~12 mm, F1.4, 90°
Shutter	Auto / Manual / 1/6~1/8000 s
Day/night	ICR automatic commutation
Minimum illumination	0,03 lux F1.4 color / 0,01 lux F1.4 B/N
Smart IR	30 meters
WDR	Digital
Signal to noise ratio	>50dB
WDR	Digital
VIDEO	
Resolution	1280 x 960
Video compression	H.264, MJPEG
Frames per second	25 fps (960P, 720P, D1)
ROI	Supported
Corridor mode	9:16
Stream	Triple
OSD	Up to 8 languages
Privacy mask	4 areas
NETWORK	
Network port	1 RJ45 10M/100M Base-TX Ethernet
Network protocols	L2TP, IPv4, IGMP, ICMP, ARP, TCP, UDP, DHCP, PPPoE, RTP, RTSP, Qos, NTP, FTP, HTTP, SNMP, SIP
Integration	ONVIF, IMOS, API
GENERAL	
Storage	Micro SD up to 128 GB (not included)
Power supply	12V CC, PoE (IEEE802.3 af)
Consumption	Máx.6.6 W (PoE :7.2 W max.)
Working temperature	-40°C ~ +60°C, HR <90% (without condensation)
Protection	IP66, IK10
Dimensions	Ø148 x 111.3 mm
Weight	750 g



uniview

Better Security, Better World.

# 4MP CAMERA SERIES



## Product models

**UV-49** IPC2124SR3-DPF36/60/120  
network bullet camera

**UV-50** IPC3234SR-DV  
network VF fixed dome camera

## Features

- Up to 4MP resolution
- IP66
- 2 OSRAM car-grade LEDs with up to 30 meters IR distance



**UV-29 / IPC341LR-V**

Vandal dome with IR illumination up to 30 m, 1.3 MP



**FEATURES**

- CMOS 1/3" low light
- 1,3 MP: 1280 x 960 @25 fps (triple stream)
- Removable mechanical filter
- Smart IR up to 30 meters
- 2.8~12 mm varifocal lens
- D-WDR, ROI, corridor mode
- Privacy mask (4 zones)
- Bidirectional audio, 1alarm input / 1 alarm output
- IP66, IK10
- 3AXIS
- PoE supported

CAMERA	
Image sensor	1/3" Progressive scan CMOS, 1.3 MP
Lens	2.8~12 mm, F1.4, 90°
Shutter	Auto / Manual / 1/6~1/8000 s
Day/night	ICR automatic commutation
Minimum illumination	0,06 lux F1.4 color / 0,03 lux F1.4 B/N
Smart IR	30 meters
WDR	Digital
Signal to noise ratio	>50dB

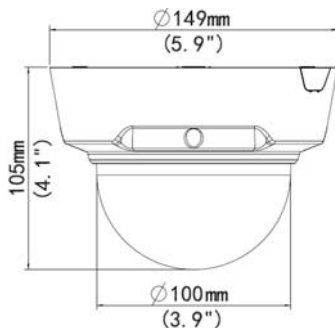
VIDEO	
Resolution	1280 x 960
Video compression	H.264, MJPEG
Frames per second	25 fps (960P, 720P, D1)
ROI	Supported
Corridor mode	9:16
Stream	Triple
OSD	Up to 8 languages
Privacy mask	4 areas

AUDIO	
Audio	Bidirectional
Audio compression	G.711

NETWORK	
Network port	10M/100M Base-TX Ethernet
Network protocols	L2TP, IPv4, IGMP, ICMP, ARP, TCP, UDP, DHCP, PPPoE, RTP, RTSP, Qos, NTP, FTP, HTTP, SNMP, SIP
Integration	ONVIF, IMOS, API
Alarm	1 input / 1 output

GENERAL	
Storage	Micro SD up to 64GB (not included)
Power supply	12V CC, PoE (IEEE802.3 af)
Consumption	3.5W (5.5W on IR activated)
Working temperature	-35°C ~ +60°C, HR <90% (without condensation)
Protection	IP66, IK10
Dimensions	Ø149 x 105 mm
Weight	750 g

**DIMENSIONS**



**UV-39 / IPC3232ER-DV**

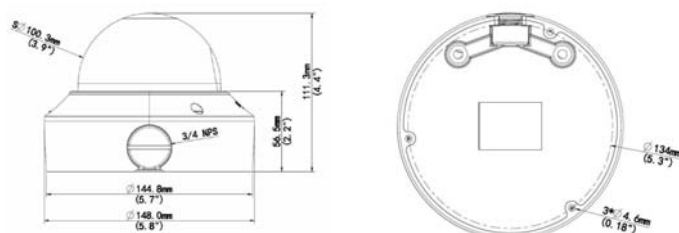
Vandal dome with IR illumination up to 30 m, 2 MP

**FEATURES**

- CMOS 1/3" low light
- 2 MP: 1920 x 1080 @25 fps (triple stream)
- Removable mechanical filter
- Smart IR up to 30 meters
- 2.8~12 mm varifocal lens
- WDR real, ROI, corridor mode
- Privacy mask (4 zones)
- Micro SD up to 128 GB (not included)
- IP66, IK10
- 2AXIS
- PoE supported

**ACCESORIES**

**UV-48**  
Wall mount

**DIMENSIONS**

CAMERA	
Image sensor	1/3" Progressive scan CMOS, 2 MP
Lens	2.8~12 mm, F1.4, 100°
Shutter	Auto / Manual / 1/6~1/8000 s
Day/night	ICR automatic commutation
Minimum illumination	0,03 lux F1.4 color / 0,01 lux F1.4 B/N
Smart IR	30 meters
Signal to noise ratio	>52dB
Video Output	1 BNC
WDR	Optical (up to 120dB)
VIDEO	
Resolution	1920 x 1080
Video compression	H.264, MJPEG
Frames per second	25 fps (1080P, 720P, D1)
ROI	Supported
Corridor mode	9:16
Stream	Triple
OSD	Up to 8 languages
Privacy mask	4 areas
AUDIO	
Audio	Bidirectional
Audio compression	G.711
NETWORK	
Network port	1 RJ45 10M/100M Base-TX Ethernet
Network protocols	L2TP, IPv4, IGMP, ICMP, ARP, TCP, UDP, DHCP, PPPoE, RTP, RTSP, Qos, NTP, FTP, HTTP, SNMP, SIP
Integration	ONVIF, IMOS, API
Alarm	1 input / 1 output
GENERAL	
Storage	Micro SD up to 128 GB (not included)
Power supply	12V CC, PoE (IEEE802.3 af)
Consumption	Máx.6.6 W (PoE :7.2 W max.)
Working temperature	-40°C ~ +60°C, HR <90% (without condensation)
Protection	IP66, IK10
Dimensions	Ø148 x 111.3 mm
Weight	750 g

**UV-2 / IPC342LR-V**

Vandal dome with IR illumination up to 30 m, 2 MP



**FEATURES**

- CMOS 1/3" low light
- 2 MP: 1920x1080 @25 fps (triple stream)
- Removable mechanical filter
- Smart IR up to 30 meters
- 2.8~12 mm varifocal lens
- D-WDR, ROI, Corridor mode
- Privacy mask (4 zones)
- Bidirectional audio, 1alarm input / 1 alarm output
- IP66, IK10
- 3AXIS
- PoE supported

CAMERA	
Image sensor	1/3" Progressive scan CMOS, 2 MP
Lens	2.8~12 mm, F1.4, 103°
Shutter	Auto / Manual / 1/6~1/8000 s
Day/night	ICR automatic commutation
Minimum illumination	0,06 lux F1.4 color / 0,03 lux F1.4 B/N
Smart IR	30 meters
WDR	Digital
Signal to noise ratio	>52dB
VIDEO	
Resolution	1920 x 1080
Video compression	H.264, MJPEG
Frames per second	25 fps (1080P, 720P, D1)
ROI	Supported
Corridor mode	9:16
Stream	Triple
OSD	Up to 8 languages
Privacy mask	4 areas
AUDIO	
Audio	Bidirectional
Audio compression	G.711
NETWORK	
Network port	10M/100M Base-TX Ethernet
Network protocols	L2TP, IPv4, IGMP, ICMP, ARP, TCP, UDP, DHCP, PPPoE, RTP, RTSP, Qos, NTP, FTP, HTTP, SNMP, SIP
Integration	ONVIF, IMOS, API
Alarm	1 input / 1 output
GENERAL	
Storage	Micro SD up to 64GB (not included)
Power supply	12V CC, PoE (IEEE802.3 af)
Consumption	3.5W (5.5Wcon IR activado)
Working temperature	-35°C ~ +60°C, HR <90% (without condensation)
Protection	IP66, IK10
Dimensions	Ø149 x 105 mm
Weight	750 g

**ACCESORIES**



**UV-10**  
Support for recessed mounting

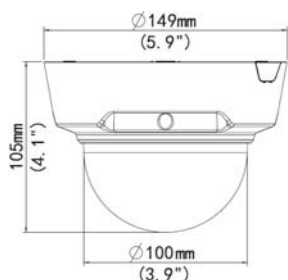


**UV-11**  
Mount adapter on walls and ceilings



**UV-12**  
Ceiling mount bracket

**DIMENSIONS**

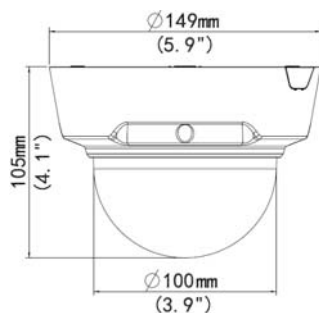


**UV-33 / IPC342E-DLVIR-IN**

Vandal dome with IR illumination up to 30 m, 2 MP

**FEATURES**

- CMOS 1/3" low light
- 2 MP: 1920x1080 @25 fps (triple stream)
- Removable mechanical filter
- Smart IR up to 30 meters
- Lens varifocal de 3~10.5 mm
- WDR real, ROI, corridor mode
- Privacy mask (4 zones)
- Bidirectional audio, 2 alarm inputs / 1 alarm output
- IP66, IK10
- 2AXIS
- PoE supported

**DIMENSIONS**

CAMERA	
Image sensor	1/3" Progressive scan CMOS, 2 MP
Lens	3~10.5 mm, F1.4, 102.4°
Shutter	Auto / Manual / 1/6~1/8000 s
Day/night	ICR automatic commutation
Minimum illumination	0,02 lux F1.4 color / 0,008 lux F1.4 B/N
Smart IR	30 meters
WDR	120dB
Video Output	1 BNC
Signal to noise ratio	>52dB
VIDEO	
Resolution	1920 x 1080
Video compression	H.264, MJPEG
Frames per second	25 fps (1080P, 720P, D1)
ROI	Supported
Corridor mode	9:16
Stream	Triple
OSD	Up to 8 languages
Privacy mask	4 areas
AUDIO	
Audio	Bidirectional
Audio compression	G.711
NETWORK	
Network port	10M/100M Base-TX Ethernet
Network protocols	L2TP, IPv4, IGMP, ICMP, ARP, TCP, UDP, DHCP, PPPoE, RTP, RTSP, Qos, NTP, FTP, HTTP, SNMP, SIP
Integration	ONVIF, IMOS, API
Alarm	2 inputs / 1 output
GENERAL	
Storage	Micro SD up to 64GB (not included)
Power supply	12V CC, PoE (IEEE802.3 af)
Consumption	4.5W (8.7W IR On)
Working temperature	-35°C ~ +60°C, HR <90% (without condensation)
Protection	IP66, IK10
Dimensions	Ø149 x 105 mm
Weight	750 g

**UV-50 / IPC3234SR-DV**

Vandal dome with IR illumination up to 30 m, 4 MP

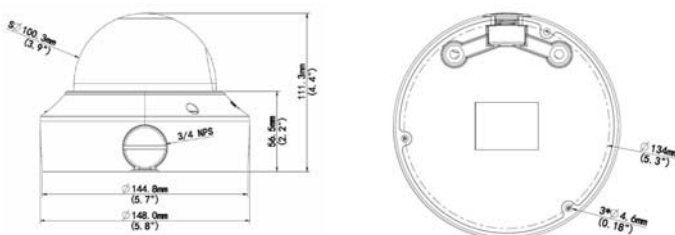


**FEATURES**

- 1/3" Progressive scan CMOS
- 4 MP: 2688 x 1520 @25 fps (triple stream)
- Removable mechanical filter
- Smart IR up to 30 meters
- 2.8~10 mm varifocal lens
- WDR real, ROI, corridor mode
- Privacy mask (4 zones)
- Micro SD up to 128 GB (not included)
- IP66, IK10
- PoE supported

CAMERA	
Image sensor	1/3" Progressive scan CMOS, 4 MP
Lens	2.8~10 mm, F1.4, 105°
Shutter	Auto / Manual / 1/6~1/8000 s
Day/night	ICR automatic commutation
Minimum illumination	0,03 lux F1.4 color / 0,01 lux F1.4 B/N
Smart IR	30 meters
Signal to noise ratio	>52dB
Video Output	1 BNC
WDR	Optical (up to 120dB)
VIDEO	
Resolution	2688 × 1520
Video compression	H.264, MJPEG
Frames per second	25 fps (4 MP, 1080P, 720P, D1)
ROI	Supported
Corridor mode	9:16
Stream	Triple
OSD	Up to 8 languages
Privacy mask	4 areas
AUDIO	
Audio	Bidirectional
Audio compression	G.711
NETWORK	
Network port	1 RJ45 10M/100M Base-TX Ethernet
Network protocols	L2TP, IPv4, IGMP, ICMP, ARP, TCP, UDP, DHCP, PPPoE, RTP, RTSP, Qos, NTP, FTP, HTTP, SNMP, SIP
Integration	ONVIF, IMOS, API
Alarm	1 input / 1 output
GENERAL	
Storage	Micro SD up to 128 GB (not included)
Power supply	12V CC, PoE (IEEE802.3 af)
Consumption	Máx.6.6 W (PoE :7.2 W max.)
Working temperature	-40°C ~ +60°C, HR <90% (without condensation)
Protection	IP66, IK10
Dimensions	Ø148 x 111.3 mm
Weight	750 g

**DIMENSIONS**



# PTZ IP Domes



**UV-26 / IPC6221ER-X20**

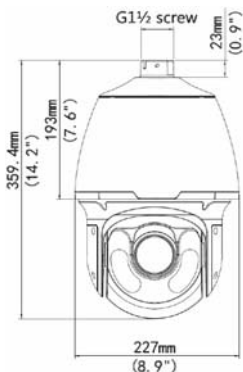
Motorized dome, IR illumination up to 100m



**FEATURES**

- 1/3" Progressive Scan CMOS
- 4.7 ~ 94 mm varifocal lens (20X optical zoom)
- 1,3 MP: 1280x960 @25 fps (triple stream)
- Removable mechanical filter
- Smart IR up to 100 meters
- Bidirectional audio
- D-WDR
- Defog mode
- Positioner: 360° continuous (H), -15°~+90° (V)
- Manual speed: 240°/s. (H) y 160°/s. (V)
- 255 presets, 16 rounds (32 presets per round)
- IP66
- Bracket is not included

**DIMENSIONS**



**ACCESORIES**



**UV-19**  
Wall mount bracket



**UV-20**  
Mount bracket for vertical posts



**UV-21**  
Bracket for corners mounts



**UV-12**  
Ceiling mount bracket



**UV-14**  
Ceiling mount adapter



**UV-15**  
Mount bracket for ceilings

CAMERA	
Image sensor	1/3" Progressive scan CMOS, 1.3 MP
Lens	4,7 ~ 94 mm (20X optical zoom), 59,7° ~ 3,8°
Shutter	Auto / Manual / 1/6~1/8000 s
Day/night	ICR automatic commutation
Minimum illumination	0,03 lux F1.6 color / 0,01 lux F1.6 B/N
Smart IR	100 meters
WDR	Digital
Signal to noise ratio	>50dB
VIDEO	
Resolution	1280 X 960
Video compression	H.264, MJPEG
Frames per second	25 fps (720P, D1)
Stream	Triple
OSD	Up to 8 languages
Privacy mask	8 areas
AUDIO	
Audio	Bidirectional: 1 input / 1 output
Audio compression	G.711
PTZ	
Positioner	360° horizontal / -15°~+90° vertical (autoflip)
Manual speed	240°/s horizontal / 160°/s vertical
Preset speed	300°/s horizontal / 240°/s vertical
Presets	255 presets
Rounds	16 rounds up to 32 presets per round
Patterns	16 pattern (up to 15 min per pattern)
NETWORK	
Network port	10M/100M Base-TX Ethernet
Network protocols	L2TP, IPv4, IGMP, ICMP, ARP, TCP, UDP, DHCP, PPPoE, RTP, RTSP, Qos, NTP, FTP, HTTP, SNMP, SIP
Integration	ONVIF, IMOS, API
Alarm	1 input / 1 output
GENERAL	
Storage	Micro SD up to 64GB (not included)
Power supply	24V CA (Power supply included)
Consumption	9W ~ 42W (IR: 16W; heater: 24W max.)
Working temperature	-40°C ~ +65°C, HR <90% (without condensation)
Protection	IP66
Dimensions	Ø227 x 359,4 mm
Weight	5,28 kg



## UV-27 / IPC6222ER-X30

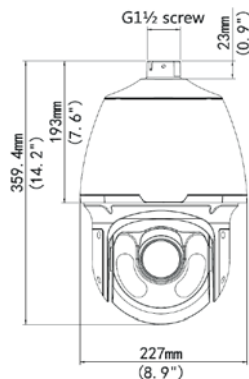
Motorized dome, IR illumination up to 100m



### FEATURES

- 1/3" Progressive Scan CMOS
- Lente varifocal 4.5 ~ 135 mm (zoom óptico 30X)
- 2 MP: 1920x1080 @25 fps (triple stream)
- Removable mechanical filter
- Smart IR up to 100 meters
- Bidirectional audio
- D-WDR
- Defog mode
- Positioner: 360° continuous (H), -15°~+90° (V)
- Manual speed: 240°/s. (H) y 160°/s. (V)
- 255 presets, 16 rounds (32 presets per round)
- IP66
- Bracket is not included

### DIMENSIONS



### ACCESORIES



**UV-19**  
Wall mount bracket



**UV-20**  
Mount bracket for vertical posts



**UV-21**  
Bracket for corners mounts



**UV-12**  
Ceiling mount bracket



**UV-14**  
Ceiling mount adapter



**UV-15**  
Mount bracket for ceilings

CAMERA	
Image sensor	1/3" Progressive Scan CMOS, 2 MP
Lens	4.5 ~ 135 mm (zoom óptico 30X), 62.9°~ 2.3°
Shutter	Auto / Manual / 1/6~1/8000 s
Day/night	ICR automatic commutation
Minimum illumination	0,03 lux F1.6 color / 0,01 lux F1.6 B/N
Smart IR	100 meters
WDR	Digital
Signal to noise ratio	>52dB
VIDEO	
Resolution	1920 × 1080
Video compression	H.264, MJPEG
Frames per second	25 fps (1080P, 720P, D1)
Stream	Triple
OSD	Up to 8 languages
Privacy mask	8 areas
AUDIO	
Audio	Bidirectional
Audio compression	G.711
PTZ	
Positioner	360° horizontal / -15°~+90° vertical (autoflip)
Manual speed	240°/s horizontal / 160°/s vertical
Preset speed	300°/s horizontal / 240°/s vertical
Presets	255 presets
Rounds	16 rounds up to 32 presets per round
Patterns	16 pattern (up to 15 min per pattern)
NETWORK	
Network port	1 RJ45 10M/100M Base-TX Ethernet
Network protocols	L2TP, IPv4, IGMP, ICMP, ARP, TCP, UDP, DHCP, PPPoE, RTP, RTSP, Qos, NTP, FTP, HTTP, SNMP, SIP
Integration	ONVIF, IMOS, API
Alarm	1 input / 1 output
GENERAL	
Storage	Micro SD up to 64GB (not included)
Power supply	24V CA (Power supply included)
Consumption	9W ~ 42W (IR: 16W; heater: 24W max.)
Working temperature	-40°C ~ +65°C, HR <90% (without condensation)
Protection	IP66
Dimensions	Ø227 x 359,4 mm
Weight	5.28 kg

**UV-8 / IPC6242SR-X22**

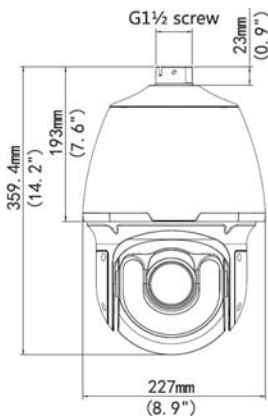
Motorized dome, IR illumination 150m



**FEATURES**

- 1/3" Progressive Scan CMOS
- 4.7 ~ 103 mm varifocal lens (22X optical zoom)
- 2 MP: 1920x1080 @25 fps (triple stream)
- Removable mechanical filter
- Bidirectional audio
- D-WDR
- Defog mode
- Smart IR up to 150 meters
- Positioner: 360° continuous (H), -15°~+90° (V)
- Manual speed: 240°/s. (H) y 160°/s. (V)
- 255 presets, 16 rounds (32 presets per round)
- IP66
- Bracket is not included

**DIMENSIONS**



**ACCESORIES**



CAMERA	
Image sensor	1/3" Progressive Scan CMOS, 2 MP
Lens	4.7 ~ 103 mm (22X optical zoom), 61.9° ~ 3.4°
Shutter	Auto / Manual / 1/6~1/8000 s
Day/night	ICR automatic commutation
Minimum illumination	0,03 lux F1.6 color / 0,01 lux F1.6 B/N
Smart IR	150 meters
WDR	Digital
Video Output	1 BNC
Signal to noise ratio	>52dB
VIDEO	
Resolution	1920 × 1080
Video compression	H.264, MJPEG
Frames per second	25 fps (1080P, 720P, D1)
Stream	Triple
OSD	Up to 8 languages
Privacy mask	8 areas
Zoom digital	Supported
AUDIO	
Audio	Bidirectional
Audio compression	G.711
PTZ	
Positioner	360° horizontal / -15°~+90° vertical (autoflip)
Manual speed	240°/s horizontal / 160°/s vertical
Preset speed	300°/s horizontal / 240°/s vertical
Presets	255 presets
Rounds	16 rounds up to 32 presets per round
Patterns	16 pattern (up to 15 min per pattern)
NETWORK	
Ports	10M/100M Base-TX Ethernet / 1 RS485
Network protocols	L2TP, IPv4, IGMP, ICMP, ARP, TCP, UDP, DHCP, PPPoE, RTP, RTSP, Qos, NTP, FTP, HTTP, SNMP, SIP
Integration	ONVIF, IMOS, API
Alarm	2 inputs / 1 output
GENERAL	
Storage	Micro SD up to 64GB (not included)
Power supply	24V CA (Power supply included)
Consumption	8 ~ 52.5 W (IR: 34W; heater: 14W max.)
Working temperature	-40°C ~ +70°C, HR <90% (without condensation)
Protection	IP66
Dimensions	Ø227 x 359,4 mm
Weight	5.40 kg

## UV-9 / IPC6242SL-X22

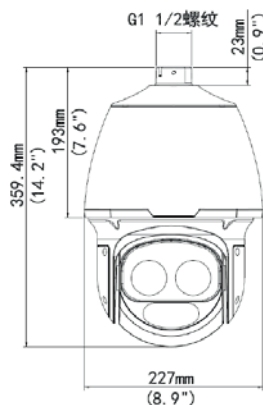
Motorized dome with IR laser illumination up to 500 m



### FEATURES

- 1/3" Progressive Scan CMOS
- 4.7 ~ 103 mm varifocal lens (22X optical zoom)
- 2 MP: 1920x1080 @25 fps (triple stream)
- Removable mechanical filter
- Bidirectional audio
- D-WDR
- Defog mode
- Smart IR laser up to 500 meters
- Positioner: 360° continuous (H), -15°~+90° (V)
- Manual speed: 240°/s. (H) y 160°/s. (V)
- 255 presets, 16 rounds (32 presets per round)
- IP66
- Bracket is not included

### DIMENSIONS



### ACCESORIES



**UV-19**  
Wall mount bracket



**UV-20**  
Mount bracket for vertical posts



**UV-21**  
Bracket for corners mounts



**UV-12**  
Ceiling mount bracket



**UV-14**  
Ceiling mount adapter



**UV-15**  
Mount bracket for ceilings

CAMERA	
Image sensor	1/3" Progressive Scan CMOS, 2 MP
Lens	4.7 ~ 103 mm (22X optical zoom), 61.9° ~ 3.4°
Shutter	Auto / Manual / 1/6~1/8000 s
Day/night	ICR automatic commutation
Minimum illumination	0,03 lux F1.6 color / 0,01 lux F1.6 B/N
Smart IR	500 meters (LED IR + IR laser)
WDR	Digital
Video Output	1 BNC
Signal to noise ratio	>52dB
VIDEO	
Resolution	1920 × 1080
Video compression	H.264, MJPEG
Frames per second	25 fps (1080P, 720P, D1)
Stream	Triple
OSD	Up to 8 languages
Privacy mask	8 areas
Zoom digital	Supported
AUDIO	
Audio	Bidirectional
Audio compression	G.711
PTZ	
Positioner	360° horizontal / -15°~+90° vertical (autoflip)
Manual speed	240°/s horizontal / 160°/s vertical
Preset speed	300°/s horizontal / 240°/s vertical
Presets	255 presets
Rounds	16 rounds up to 32 presets per round
Patterns	16 pattern (up to 15 min per pattern)
NETWORK	
Ports	10M/100M Base-TX Ethernet / 1 RS485
Network protocols	L2TP, IPv4, IGMP, ICMP, ARP, TCP, UDP, DHCP, PPPoE, RTP, RTSP, Qos, NTP, FTP, HTTP, SNMP, SIP
Integration	ONVIF, IMOS, API
Alarm	2 inputs / 1 output
GENERAL	
Storage	Micro SD up to 64GB (not included)
Power supply	24V CA (Power supply included)
Consumption	8 ~ 45 W (IR: 7.5W; laser: 5W; heater: 14W)
Working temperature	-40°C ~ +70°C, HR <90% (without condensation)
Protection	IP66
Dimensions	Ø227 x 359,4 mm
Weight	5.60 kg

**UV-40 / IPC6242SFW-X22U**

Full Spectrum motorized dome



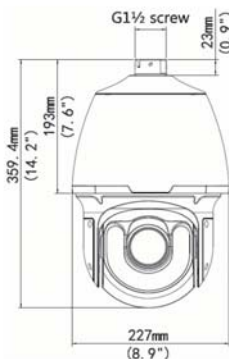
Tecnologia  
**STARLIGHT®**  
NEXT GENERATION

**2MP** **AUTO FOCUS** **IP66** **ONVIF 2.4** **ZOOM 22x** **150M** **WHITE LED 30M**

**FEATURES**

- Starlight
- CMOS 1/2" Progressive Scan
- 6.5 ~ 143 mm varifocal lens (22X optical zoom)
- 2 MP: 1920x1080 @25 fps (triple stream)
- Removable mechanical filter
- Bidirectional audio
- D-WDR
- Defog mode
- Illumination up to 150m (IR LED + whites)
- Positioner: 360° continuous (H), -15°~+90° (V)
- Manual speed: 240°/s. (H) y 160°/s. (V)
- 255 presets, 16 rounds (32 presets per round)
- IP66
- Bracket is not included

**DIMENSIONS**



**ACCESORIES**



**UV-19**  
Wall mount bracket



**UV-20**  
Mount bracket for vertical posts



**UV-21**  
Bracket for corners mounts



**UV-12**  
Ceiling mount bracket



**UV-14**  
Ceiling mount adapter



**UV-15**  
Mount bracket for ceilings

CAMERA	
Image sensor	1/2" Progressive Scan CMOS, 2 MP
Lens	6.5 ~ 143 mm (22X optical zoom), 70° ~ 3.76°
Shutter	Auto / Manual / 1/6~1/8000 s
Day/night	ICR automatic commutation
Minimum illumination	0,002 lux F1.6 color / 0,0002 lux F1.6 B/N
IR illumination	0 ~ 30m: color image with white LED illumination 30m ~ 150m: IR illumination
WDR	Digital
Video Output	1 BNC
Signal to noise ratio	>52dB
VIDEO	
Resolution	1920 × 1080
Video compression	H.264, MJPEG
Frames per second	25 fps (1080P, 720P, D1)
Stream	Triple
OSD	Up to 8 languages
Privacy mask	8 areas
Zoom digital	Supported
AUDIO	
Audio	Bidirectional
Audio compression	G.711
PTZ	
Positioner	360° horizontal / -15°~+90° vertical (autoflip)
Manual speed	240°/s horizontal / 160°/s vertical
Preset speed	300°/s horizontal / 240°/s vertical
Presets	255 presets
Rounds	16 rounds up to 32 presets per round
Patterns	16 pattern (up to 15 min per pattern)
NETWORK	
Ports	1 RJ45 10M/100M Base-TX Ethernet / 1 RS485
Network protocols	L2TP, IPv4, IGMP, ICMP, ARP, TCP, UDP, DHCP, PPPoE, RTP, RTSP, Qos, NTP, FTP, HTTP, SNMP, SIP
Integration	ONVIF, IMOS, API
Alarm	2 inputs / 1 output
GENERAL	
Storage	Micro SD up to 64GB (not included)
Power supply	24V CA (Power supply included)
Consumption	12W ~ 46W (IR: 27W; heater: 12W max.)
Working temperature	-40°C ~ +70°C, HR <90% (without condensation)
Protection	IP66
Dimensions	Ø227 x 359,4 mm
Weight	5.50 kg

uniview

Better Security, Better World.

# STARLIGHT CAMERA SERIES



## Product models

**UV-30** IPC6242SR-X22U network PTZ dome camera

Color image under 0.002lux illumination  
0lux with IR  
IR anti-reflection glass to increase IR transmittance  
IP66, -40°C ~ -70°C working environment



**UV-1** IPC562E-DUG network box camera

Color image under 0.002lux illumination  
120dB WDR  
Wide voltage range



## Suitable scenes

Intelligent building, airport, port, parking lot, square, etc.

[www.uniview.com](http://www.uniview.com)

# IP NVR



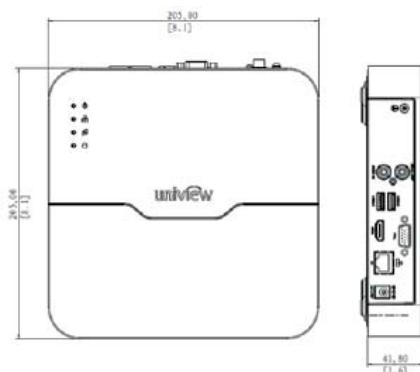
uniview

**UV-41 / NVR201-04L**

## 4 channel IP NVR

**FEATURES**

- 4 IP channels, 2MP
- ONVIF supported
- FullHD Output
- 1 SATA up to 6 TB
- P2P, UPnP, NTP, DHCP, PPPoE supported
- Display on mobile phones with EZView app
- Double stream supported
- Corridor mode
- CLOUD event storage
- CRA integration through AlarmSpace gateway
- Noiseless

**DIMENSIONS****SPECS**

IP inputs	4 channels
Outputs	VGA, HDMI
Video codification	H.264
Synchronized playback	4 channels

**AUDIO**

Output	1 RCA
Bidirectional audio	1 RCA input / 1 RCA output

**STORAGE**

SATA	1 SATA port ( up to 6 TB each port)
------	-------------------------------------

**AUXILIARY INTERFACE**

Network port	1 RJ45 10M/100M/1000M port
USB	1 USB 2.0, 1 USB 3.0

**NETWORK**

Bandwidth input	32 Mbps (recording)
Bandwidth output	64 Mbps (transmission)

**DECODING**

Playback	6MP@25 4MP@30 3MP@30 1080P@30 720P@30
Capacity	18 channels @D1, 9 channels @720p, 4 channels @1080p

**GENERAL**

Power supply	12 V CC, 2A (Power supply included)
Consumption	< 4 W (without disc)
Working temperature	-10°C ~ 55°C
HR	10~90%
Weight	1.17 Kg (empty)
Dimensions	205 x 205 x 41,8 mm



**UV-42 / NVR201-08L**

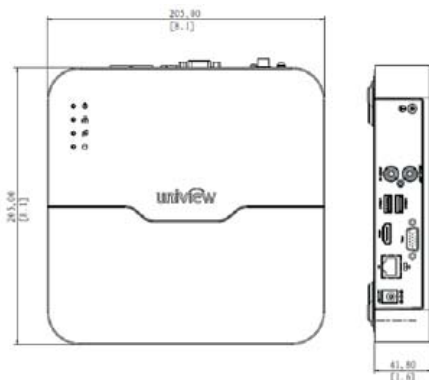
8 channel IP NVR



**FEATURES**

- 8 IP channel, 2 MP
- ONVIF supported
- FullHD Output
- 1 SATA up to 6 TB
- P2P, UPnP, NTP, DHCP, PPPoE supported
- Display on mobile phones with EZView app
- Double stream supported
- Corridor mode
- CLOUD event storage
- CRA integration through Alarmspace gateway
- Noiseless

**DIMENSIONS**



SPECS	
IP inputs	8 channels
Outputs	VGA, HDMI
Video codification	H.264
Synchronized playback	8 channels
AUDIO	
Output	1 RCA
Bidirectional audio	1 RCA input / 1 RCA output
STORAGE	
SATA	1 SATA port ( up to 6 TB each port)
AUXILIARY INTERFACE	
Network port	1 RJ45 10M/100M/1000M port
USB	1 USB 2.0, 1 USB 3.0
NETWORK	
Bandwidth input	64 Mbps (recording)
Bandwidth output	64 Mbps (transmission)
DECODING	
Playback	6MP@25 4MP@30 3MP@30 1080P@30 720P@30
Capacity	18 channels @D1, 9 channels @720p,4 channels @1080p
GENERAL	
Power supply	12 V CC, 2A (Power supply included)
Consumption	< 4 W (without disc)
Working temperature	-10°C ~ 55°C
HR	10~90%
Weight	1.17 Kg (empty)
Dimensions	205 x 205 x 41,8 mm

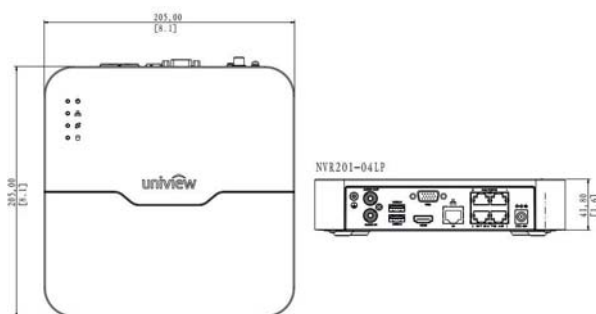


**UV-43 / NVR201-04LP**

## 4 channel IP NVR

**FEATURES**

- 4 IP channels 2 MP
- ONVIF supported
- FullHD Output
- 1 SATA up to 6 TB
- Switch 4x RJ45 PoE (Cat6 up to 200m)
- P2P, UPnP, NTP, DHCP, PPPoE supported
- Display on mobile phones with EZView app
- Double stream supported
- Corridor mode
- CLOUD event storage
- CRA integration through AlarmSpace gateway
- Noiseless

**DIMENSIONS****SPECS**

IP inputs	4 channels
Outputs	VGA, HDMI
Video codification	H.264
Synchronized playback	4 channels

**AUDIO**

Output	1 RCA
Bidirectional audio	1 RCA input / 1 RCA output

**STORAGE**

SATA	1 SATA port ( up to 6 TB each port)
------	-------------------------------------

**AUXILIARY INTERFACE**

Network port	1 RJ45 10M/100M/1000M port
USB	1 USB 2.0, 1 USB 3.0
PoE	4 RJ45 10M/100M PoE Interface

**NETWORK**

Bandwidth input	32 Mbps (recording)
Bandwidth output	64 Mbps (transmission)

**DECODING**

Playback	6MP@25 4MP@30 3MP@30 1080P@30 720P@30
Capacity	18 channels @D1, 9 channels @720p, 4 channels @1080p

**GENERAL**

Power supply	48 V CC, 1,25A (Power supply included)
Consumption	< 60 W
PoE	30 W (port), 44 W (total)
Working temperature	-10°C ~ 55°C
HR	10~90%
Dimensions	205 x 205 x 41,8 mm
Weight	1.21 kg



**UV-44 / NVR201-08LP**

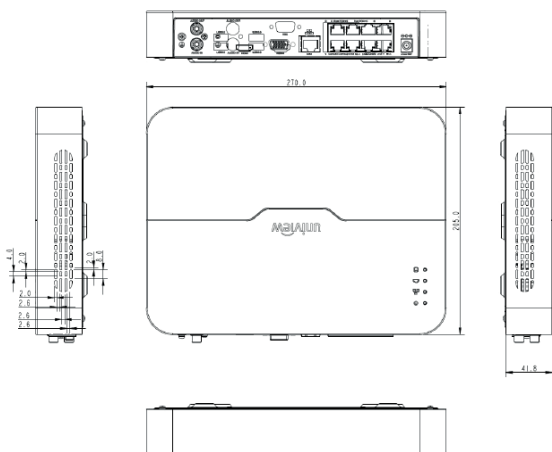
8 channel IP NVR



**FEATURES**

- 8 IP channel, 2 MP
- ONVIF supported
- FullHD Output
- 1 SATA up to 6 TB
- 8x RJ45 PoE switch (Cat6 up to 200m)
- P2P, UPnP, NTP, DHCP, PPPoE supported
- Display on mobile phones with EZView app
- Double stream supported
- Corridor mode
- CLOUD event storage
- CRA integration through Alarmspace gateway
- Noiseless

**DIMENSIONS**



**SPECS**

IP inputs	8 channels
Outputs	VGA, HDMI
Video codification	H.264
Synchronized playback	4 channels

**AUDIO**

Output	1 RCA
Bidirectional audio	1 RCA input / 1 RCA output

**STORAGE**

SATA	1 SATA port ( up to 6 TB each port)
------	-------------------------------------

**AUXILIARY INTERFACE**

Network port	1 RJ45 10M/100M/1000M port
USB	1 USB 2.0, 1 USB 3.0
PoE	8 RJ45 10M/100M PoE Interface

**NETWORK**

Bandwidth input	64 Mbps (recording)
Bandwidth output	64 Mbps (transmission)

**DECODING**

Playback	8MP@25, 6MP@25 4MP@30 3MP@30 1080P@30 720P@30
Capacity	32 channels @D1, 16 channels @720p, 6 channels @1080p

**GENERAL**

Power supply	52 V CC, 1,8A (Power supply included)
Consumption	< 93,6 W
PoE	30 W (port), 78 W (total)
Working temperature	-10°C ~ 55°C
HR	10~90%
Dimensions	205 x 205 x 41,8 mm
Weight	1.3 kg

uniview

Better Security, Better World.

# mini Smart NVR



Hypermarket "Epicenter K", Ukraine

Quiet and safer, thanks to his new job fanless design  
and temperature control to prevent failure



Working temperature on a  
normal NVR (51°C)



Working temperature on a  
Uniview NVR (38,9°C)

## mini Smart NVR

- Fanless
- PoE+
- Plug & Play



Suitable for:

home, restaurants, shops, etc...



**UV-22 / NVR201-04EP**

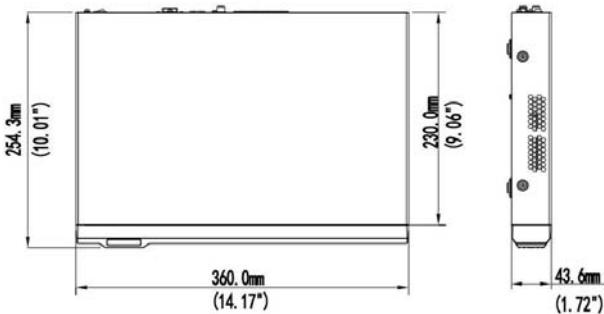
4 channel IP NVR



**FEATURES**

- 4 IP channels 2 MP
- ONVIF supported
- FullHD Output
- 1 SATA up to 6 TB
- Switch 4x RJ45 PoE (Cat6 up to 200m)
- P2P, UPnP, NTP, DHCP, PPPoE supported
- Display on mobile phones with EZView app
- Double stream supported
- Corridor mode
- CLOUD event storage
- CRA integration through Alarmspace gateway
- IR remote control included

**DIMENSIONS**



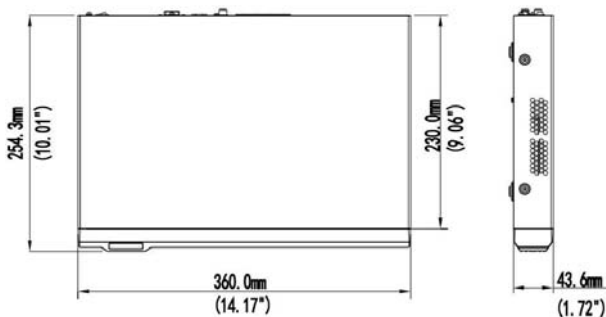
SPECS	
IP inputs	4 channels
Outputs	VGA, HDMI
Video codification	H.264
Synchronized playback	4 channels
AUDIO	
Output	1 RCA
Bidirectional audio	1 RCA input / 1 RCA output
STORAGE	
SATA	1 SATA port (up to 6 TB)
AUXILIARY INTERFACE	
Network port	1 RJ45 10M/100M/1000M port
PoE interface	4 RJ45 10M/100M PoE+ Interface (802.3at)
USB	1 USB 2.0, 1 USB 3.0
NETWORK	
Bandwidth input	32 Mbps (recording)
Bandwidth output	96 Mbps (transmission)
DECODING	
Playback	6MP@25 4MP@30 3MP@30 1080P@30 720P@30
Capacity	18 channels @ D1 / 9 channels @720p / 4 channels @1080p
GENERAL	
Power supply	48V CC, 1,25A (Power supply included)
Consumption	< 60W
PoE	30 W (port), 44W (total)
Working temperature	-10°C ~ 55°C
HR	10~90%
Weight	1,5 Kg (empty)
Dimensions	360 x 254,3 x 43,6 mm

**UV-23 / NVR201-08EP**

## 8 channel IP NVR

**FEATURES**

- 8 IP channel, 2 MP
- ONVIF supported
- FullHD Output
- 1 SATA up to 6 TB
- 8x RJ45 PoE switch (Cat6 up to 200m)
- P2P, UPnP, NTP, DHCP, PPPoE supported
- Display on mobile phones with EZView app
- Double stream supported
- Corridor mode
- CLOUD event storage
- CRA integration through Alarmspace gateway
- IR remote control included

**DIMENSIONS**

SPECS	
IP inputs	8 channels
Outputs	VGA, HDMI
Video codification	H.264
Synchronized playback	8 channels
AUDIO	
Output	1 RCA
Bidirectional audio	1 RCA input / 1 RCA output
STORAGE	
SATA	1 SATA port (up to 6 TB)
AUXILIARY INTERFACE	
Network port	1 RJ45 10M/100M/1000M port
PoE interface	8 RJ45 10M/100M PoE+ Interface (802.3at)
USB	1 USB 2.0, 1 USB 3.0
NETWORK	
Bandwidth input	64 Mbps (recording)
Bandwidth output	96 Mbps (transmission)
DECODING	
Playback	6MP@25 4MP@30 3MP@30 1080P@30 720P@30
Capacity	18 channels @ D1 / 9 channels @720p /4 channels @1080p
GENERAL	
Power supply	52V CC, 1,25A (Power supply included)
Consumption	< 94W
PoE	30 W (port), 78W (total)
Working temperature	-10°C ~ 55°C
HR	10~90%
Weight	1,5 Kg (empty)
Dimensions	360 x 254,3 x 43,6 mm



**UV-24 / NVR202-16EP**

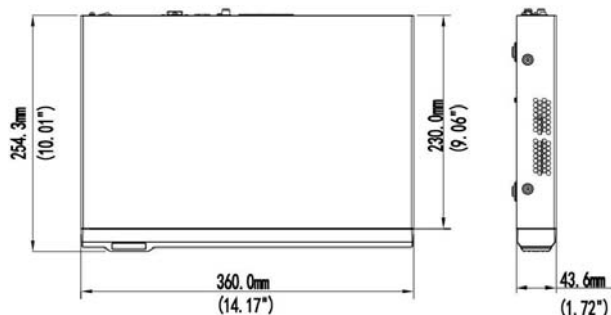
16 channels IP NVR



**FEATURES**

- 16 IP channels 2 MP
- ONVIF supported
- FullHD Output
- 2 SATA up to 6 TB
- 8x RJ45 PoE switch (Cat6 up to 200m)
- P2P, UPnP, NTP, DHCP, PPPoE supported
- Display on mobile phones with EZView app
- Double stream supported
- Corridor mode
- CLOUD event storage
- CRA integration through Alarmspace gateway
- IR remote control included

**DIMENSIONS**



**SPECS**

IP inputs	16 channels
Outputs	VGA, HDMI
Video codification	H.264
Synchronized playback	16 channels

**AUDIO**

Output	1 RCA
Bidirectional audio	1 RCA input / 1 RCA output

**STORAGE**

SATA	2 port SATA ( up to 6 TB each port)
------	-------------------------------------

**AUXILIARY INTERFACE**

Network port	1 RJ45 10M/100M/1000M port
PoE interface	8 RJ45 10M/100M PoE+ Interface (802.3at)
USB	1 USB 2.0, 1 USB 3.0

**NETWORK**

Bandwidth input	128 Mbps (recording)
Bandwidth output	96 Mbps (transmission)

**DECODING**

Playback	8MP@25, 6MP@25 4MP@30 3MP@30 1080P@30 720P@30
Capacity	32 channels @D1, 16 channels @720p, 6 channels @1080p

**GENERAL**

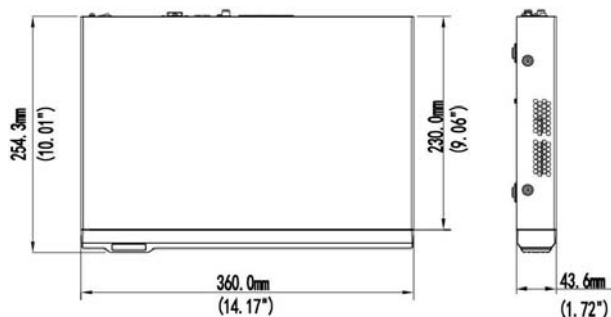
Power supply	52V CC, 1,8A (Power supply included)
Consumption	< 94W
PoE	30 W (port), 72W (total)
Working temperature	-10°C ~ 55°C
HR	10~90%
Weight	1,5 Kg (empty)
Dimensions	360 x 254,3 x 43,6 mm

**UV-25 / NVR202-32E**

## 32 channel IP NVR

**FEATURES**

- 32 IP channels 2 MP
- ONVIF supported
- FullHD Output
- 2 SATA up to 12 TB
- 8x RJ45 PoE switch (Cat6 up to 200m)
- P2P, UPnP, NTP, DHCP, PPPoE supported
- Display on mobile phones with EZView app
- Double stream supported
- Corridor mode
- CLOUD event storage
- CRA integration through Alarmspace gateway
- IR remote control included

**DIMENSIONS****SPECS**

IP inputs	32 channels
Outputs	VGA, HDMI
Video codification	H.264
Synchronized playback	16 channels

**AUDIO**

Output	1 RCA
Bidirectional audio	1 RCA input / 1 RCA output

**STORAGE**

SATA	2 port SATA ( up to 6 TB each port)
------	-------------------------------------

**AUXILIARY INTERFACE**

Network port	1 RJ45 10M/100M/1000M port
USB	1 USB 2.0, 1 USB 3.0

**NETWORK**

Bandwidth input	200 Mbps (recording)
Bandwidth output	96 Mbps (transmission)

**DECODING**

Playback	8MP@25, 6MP@25 4MP@30 3MP@30 1080P@30 720P@30
Capacity	32 channels @D1, 16 channels @720p, 6 channels @1080p

**GENERAL**

Power supply	12V CC, 2A (Power supply included)
Consumption	< 8 W (without disc)
Working temperature	-10°C ~ 55°C
HR	10~90%
Weight	1,5 Kg (empty)
Dimensions	360 x 254,3 x 43,6 mm



**UV-31 / NVR208-16**

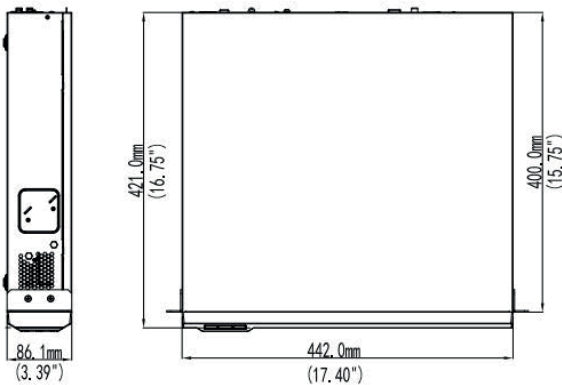
16 channels IP NVR



**FEATURES**

- 16 IP channels 2 MP
- ONVIF supported
- FullHD Output
- 8 SATA up to 48 TB
- P2P, UPnP, NTP, DHCP, PPPoE supported
- Display on mobile phones with EZView app
- Double stream supported
- Corridor mode
- CLOUD event storage
- CRA integration through Alarmspace gateway
- IR remote control included

**DIMENSIONS**



**SPECS**

IP inputs	16 channels
Outputs	VGA, HDMI
Video codification	H.264
Synchronized playback	16 channels

**AUDIO**

Output	1 RCA
Bidirectional audio	1 RCA input / 1 RCA output

**STORAGE**

SATA	8 port SATA ( up to 6 TB each port)
------	-------------------------------------

**AUXILIARY INTERFACE**

Network port	2 port RJ45 10M/100M/1000M
USB	1 USB 2.0, 1 USB 3.0
Interface serie	1 RS-232, 1 RS-485
Alarm input	8 inputs
Alarm output	2 Outputs

**NETWORK**

Bandwidth input	128 Mbps (recording)
Bandwidth output	96 Mbps (transmission)

**DECODING**

Playback	8MP@25, 6MP@25 4MP@30 3MP@30 1080P@30 720P@30
Capacity	32 channels @D1, 16 channels @720p, 6 channels @1080p

**GENERAL**

Power supply	100~240 V CA (Power supply included)
Consumption	< 15 W (without disc)
Working temperature	-10°C ~ 55°C
HR	10~90%
Weight	5,5 Kg (empty)
Dimensions	86,1 x 442 x 421 mm

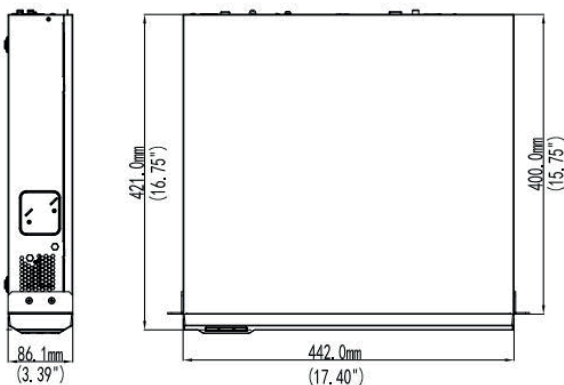


**UV-32 / NVR208-32**

## 32 channel IP NVR

**FEATURES**

- 32 IP channels 2 MP
- ONVIF supported
- FullHD Output
- 8 SATA up to 48 TB
- P2P, UPnP, NTP, DHCP, PPPoE supported
- Display on mobile phones with EZView app
- Double stream supported
- Corridor mode
- CLOUD event storage
- CRA integration through Alarmspace gateway
- IR remote control included

**DIMENSIONS****SPECS**

IP inputs	32 channels
Outputs	VGA, HDMI
Video codification	H.264
Synchronized playback	16 channels

**AUDIO**

Output	1 RCA
Bidirectional audio	1 RCA input / 1 RCA output

**STORAGE**

SATA	8 port SATA ( up to 6 TB each port)
------	-------------------------------------

**AUXILIARY INTERFACE**

Network port	2 port RJ45 10M/100M/1000M
USB	1 USB 2.0, 1 USB 3.0
Interface serie	1 RS-232, 1 RS-485
Alarm input	8 inputs
Alarm output	2 Outputs

**NETWORK**

Bandwidth input	200 Mbps (recording)
Bandwidth output	96 Mbps (transmission)

**DECODING**

Playback	8MP@25, 6MP@25 4MP@30 3MP@30 1080P@30 720P@30
Capacity	32 channels @D1, 16 channels @720p, 6 channels @1080p

**GENERAL**

Power supply	100~240 V CA (Power supply included)
Consumption	< 15 W (without disc)
Working temperature	-10°C ~ 55°C
HR	10~90%
Weight	5,5 Kg (empty)
Dimensions	86,1 x 442 x 421 mm



# Double-crystal IR LEDs

More efficient IR illumination with longer working life



# IR Anti-reflection Glass

Specialized glass to enhance IR transmittance





**UV-10**

Support for recessed mounting  
For UV-2 fixed dome



**UV-17**

Mount adapter for motorized domes on posts  
Adapts UV-18 mount to UV-8 & UV-9 motorized domes



**UV-11**

Mount adapter for wall and ceiling domes  
UV-12 & UV-19 to UV-2 fixed dome



**UV-18**

Support for pole mounting  
For UV-8 & UV-9 motorized domes (requires UV-17 thread adapter)



**UV-12**

Ceiling mount bracket  
For UV-2 fixed dome (requires UV-11 thread adapter) and UV-26, UV-27, UV-40, UV-30, UV-8 and UV-9 motorized domes



**UV-19**

Wall mount bracket  
For UV-2 fixed dome (requires UV-11 thread adapter) and UV-26, UV-27, UV-40, UV-30, UV-8 and UV-9 motorized domes



**UV-13**

Support for pole mounting  
For UV-6 and UV-7 bullet cameras



**UV-20**

Mount bracket for vertical posts  
For UV-26, UV-27, UV-40, UV-30, UV-8, UV-9 motorized domes and UV-2 fixed dome (UV-19 wall bracket required)



**UV-14**

Adapter for ceiling mount on motorized domes  
Support adapter for UV-15 & UV-16 to UV-26, UV-27, UV-40, UV-30, UV-8 & UV-9 motorized domes



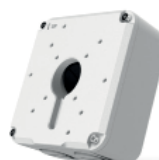
**UV-21**

Bracket for corners mounts  
For UV-26, UV-27, UV-40, UV-30, UV-8, UV-9 motorized domes and UV-2 fixed dome (UV-19 wall bracket required)



**UV-15**

Mount bracket for ceilings  
For UV-26, UV-27, UV-40, UV-30, UV-8 & UV-9 motorized domes (requires UV-14 thread adapter)



**UV-36**

Indoor/outdoor connection box for UV-3, UV-4, UV-5, UV-6, UV-7, UV-28 IP camera



**UV-16**

Short ceiling for ceiling mount for UV-8 & UV-9 motorized domes (requires UV-14 thread adapter)



**UV-37**

Connection box for PTZ domes



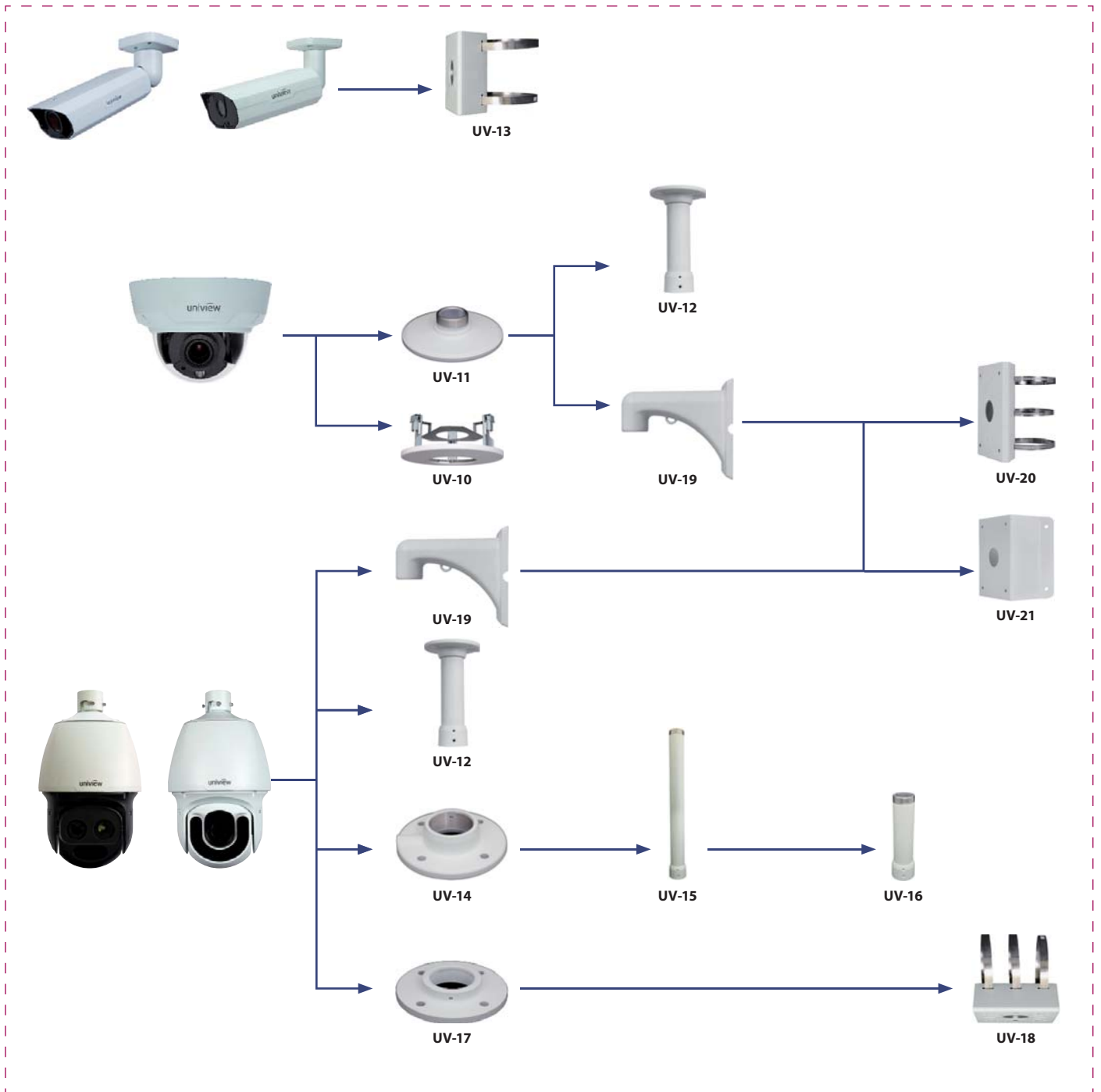
**UV-45**  
Thread bracket  
For UV-3 dome



**UV-47**  
Wall mount  
For UV-4 & UV-5 domes



**UV-48**  
Wall mount  
For UV-38 & UV-39 domes



## REFERENCE INDEX

UV-1	<b>6</b>	UV-27	<b>33</b>
UV-2	<b>28</b>	UV-28	<b>16</b>
UV-3	<b>23</b>	UV-29	<b>26</b>
UV-4	<b>21</b>	UV-30	<b>7</b>
UV-5	<b>22</b>	UV-31	<b>47</b>
UV-6	<b>17</b>	UV-32	<b>48</b>
UV-7	<b>13</b>	UV-33	<b>29</b>
UV-8	<b>34</b>	UV-34	<b>11</b>
UV-9	<b>35</b>	UV-35	<b>12</b>
UV-10	<b>50</b>	UV-36	<b>50</b>
UV-11	<b>50</b>	UV-37	<b>50</b>
UV-12	<b>50</b>	UV-38	<b>24</b>
UV-13	<b>50</b>	UV-39	<b>27</b>
UV-14	<b>50</b>	UV-40	<b>36</b>
UV-15	<b>50</b>	UV-41	<b>38</b>
UV-16	<b>50</b>	UV-42	<b>39</b>
UV-17	<b>50</b>	UV-43	<b>40</b>
UV-18	<b>50</b>	UV-44	<b>41</b>
UV-19	<b>50</b>	UV-45	<b>51</b>
UV-20	<b>50</b>	UV-46	<b>18</b>
UV-21	<b>50</b>	UV-47	<b>51</b>
UV-22	<b>43</b>	UV-48	<b>51</b>
UV-23	<b>44</b>	UV-49	<b>14</b>
UV-24	<b>45</b>	UV-50	<b>30</b>
UV-25	<b>46</b>	UV-51	<b>9</b>
UV-26	<b>32</b>	UV-52	<b>19</b>



uniview

Better Security, Better World.

# FULL SPECTRUM CAMERA



Grameenphone, Bangladesh

## Product model **UV-40**

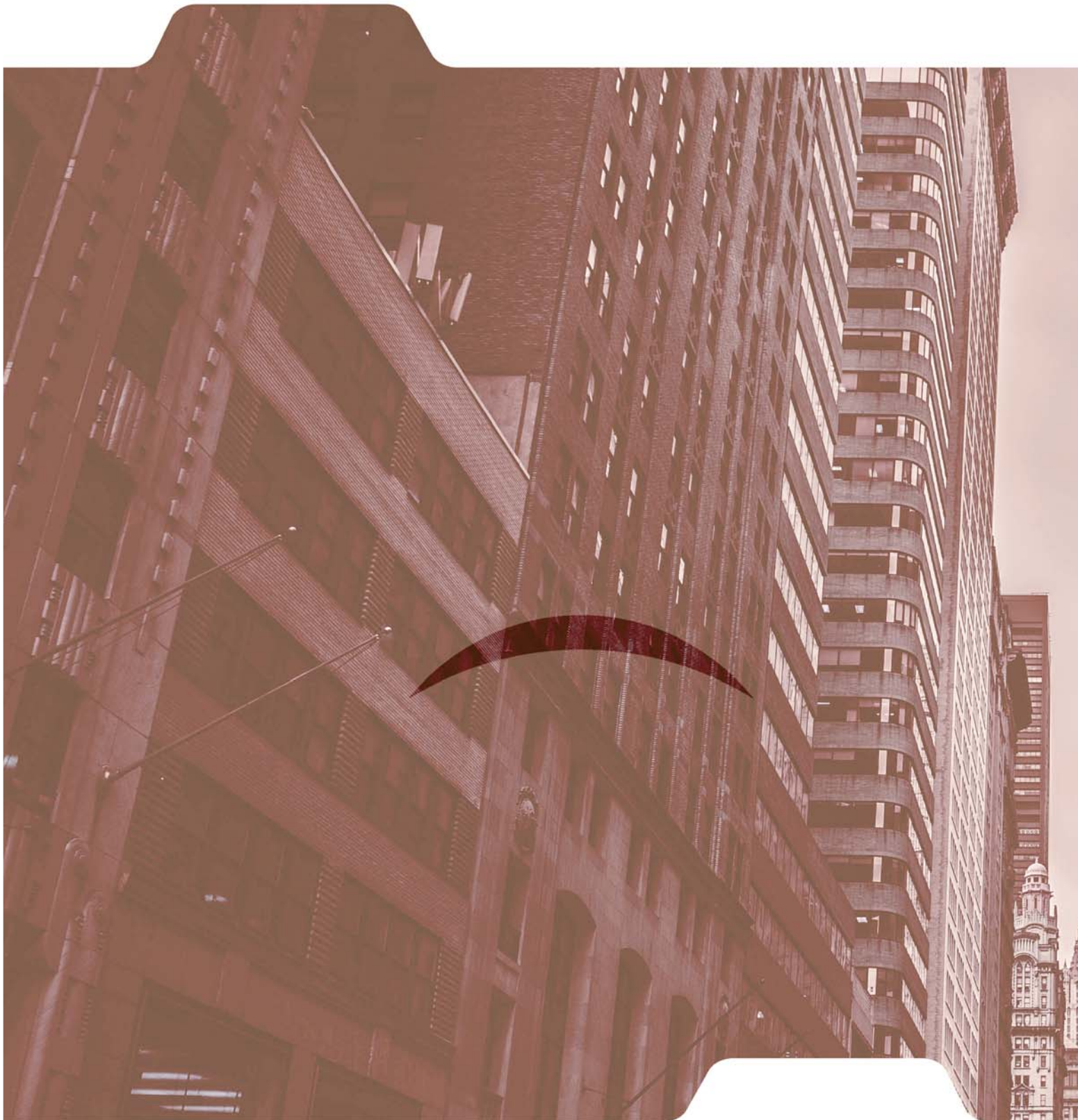
### IPC6242SFW-X22U network PTZ dome camera

- In short distance: Color image under 0.002lux illumination with white light on
- In long distance: 0lux with IR
- Smart IR
- IP66, -40 °C ~ -70°C working environment

## Suitable scenes

Outside of bank, intelligent building, square, etc.





[www.bydemes.com](http://www.bydemes.com)

#### BY DEMES INTERNATIONAL

**BY DEMES PORTUGAL:**  
Rua Fernando Namora 33, 2º-1ª  
4425-651 Maia - Porto (Portugal)  
Tel.: 932 220 421  
[tecnicoportugal@bydemes.com](mailto:tecnicoportugal@bydemes.com)

**BY DEMES ITALIA:**  
Via Palazzetti 5/C  
40068 San Lazzaro di Savena,  
Bologna (Italia)  
Tel.: 051-412 7257  
[italia@bydemes.com](mailto:italia@bydemes.com)

**BY DEMES FRANCIA:**  
4 Avenue de Norvège  
ZAC Courtaboeuf Bâtiment Hightec 3  
91140 Villebon-sur-Yvette (France)  
Tel. 01 71 51 19 93 / 01 60 92 37 50  
[france@bydemes.com](mailto:france@bydemes.com)

**BY DEMES BENELUX:**  
Ramgatseweg 11D  
4941 VN Raamsdonksveer (Netherlands)  
Tel.: (+31) 85 4894441  
[bestel@bydemes.com](mailto:bestel@bydemes.com)

**BY DEMES ASIA:**  
1907 Westgate Mall 1038 Nanjing Rd. (W)  
Shanghai, China 200041  
Tel.: (+86) 21 522 87221  
Fax: (+86) 21 522 87229  
[asia@bydemes.com](mailto:asia@bydemes.com)

#### BY DEMES SPAIN

**HEADQUARTERS BARCELONA:**  
C/ San Fructuoso 50-56  
08004 Barcelona  
Tifs.: 934 254 960 / 934 269 111  
Fax: 934 261 904  
[bydemes@bydemes.com](mailto:bydemes@bydemes.com)

**MADRID:**  
C/ Calidad 48, Polígono Industrial  
los Olivos, 28906 Getafe (Madrid)  
Tif.: 917 544 804  
Fax: 917 544 853  
[madrid@bydemes.com](mailto:madrid@bydemes.com)

**CANARIAS:**  
Crta. del Norte 113  
35013 Las Palmas de Gran Canaria  
Tel.: 928 426 323  
Fax: 928 417 077  
[canarias@bydemes.com](mailto:canarias@bydemes.com)